

# Rider 15V2 AWD

**Spare parts**

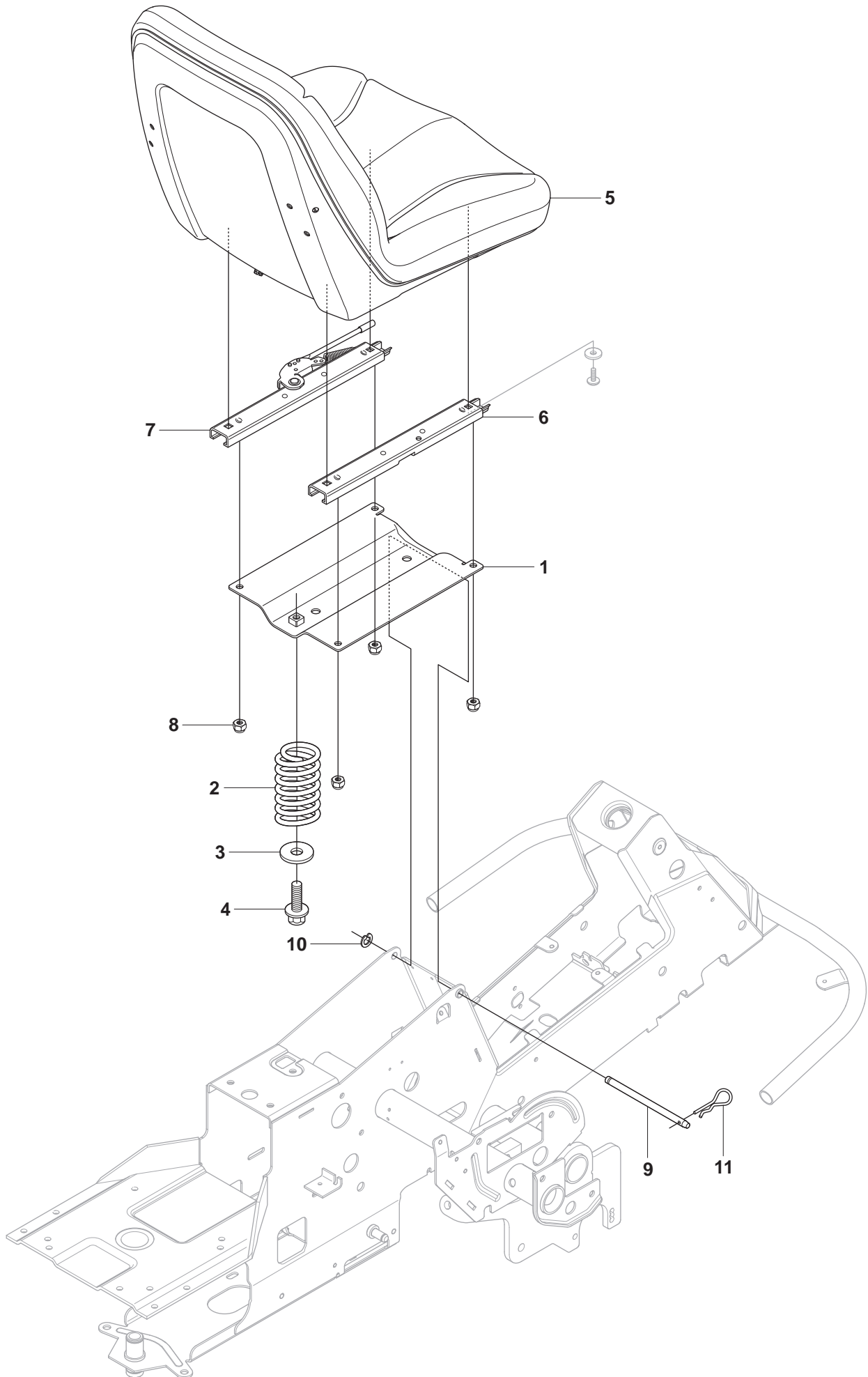
**Ersatzteile**

**Pièces détachées**

**Reserve onderdelen**

**Repuestos**

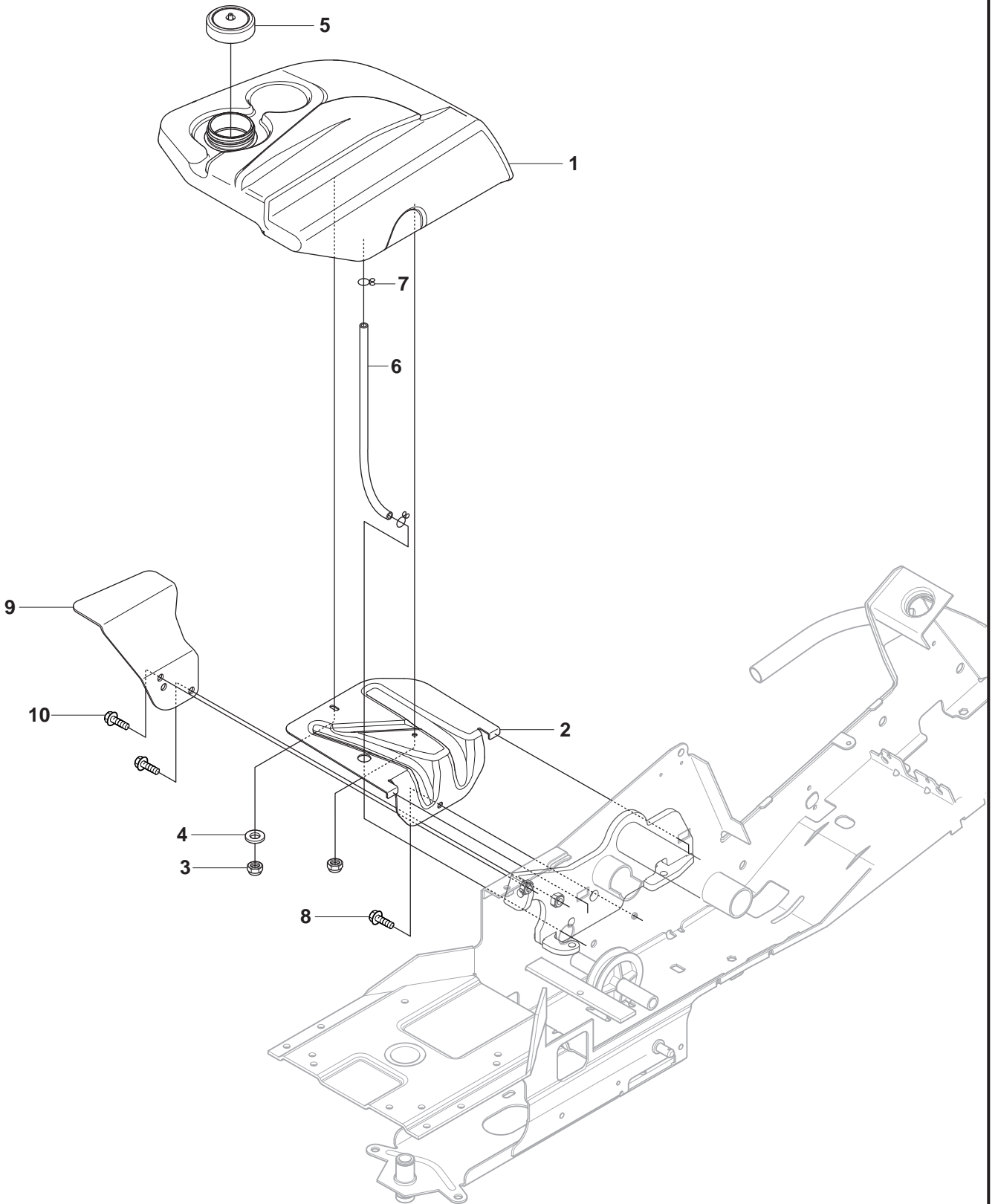
**Reservdelar**

**A****965 09 47-01 RIDER R15V2AWD  
SEAT, TS2800**

**A**965 09 47-01 RIDER R15V2AWD  
SEAT, TS2800

Pos.	Compl No.	Part No.	Description	Qty.	Notes
1		544 32 85-01		1	
2		506 91 53-01		1	
3		734 11 74-41		1	
4		725 24 93-71		1	
5		544 43 34-01		1	
6		506 99 69-01		1	
7		506 99 69-02		1	
8		732 21 18-01		4	
9		506 50 99-01		1	
10		735 31 12-00		1	
11		506 66 88-01		1	

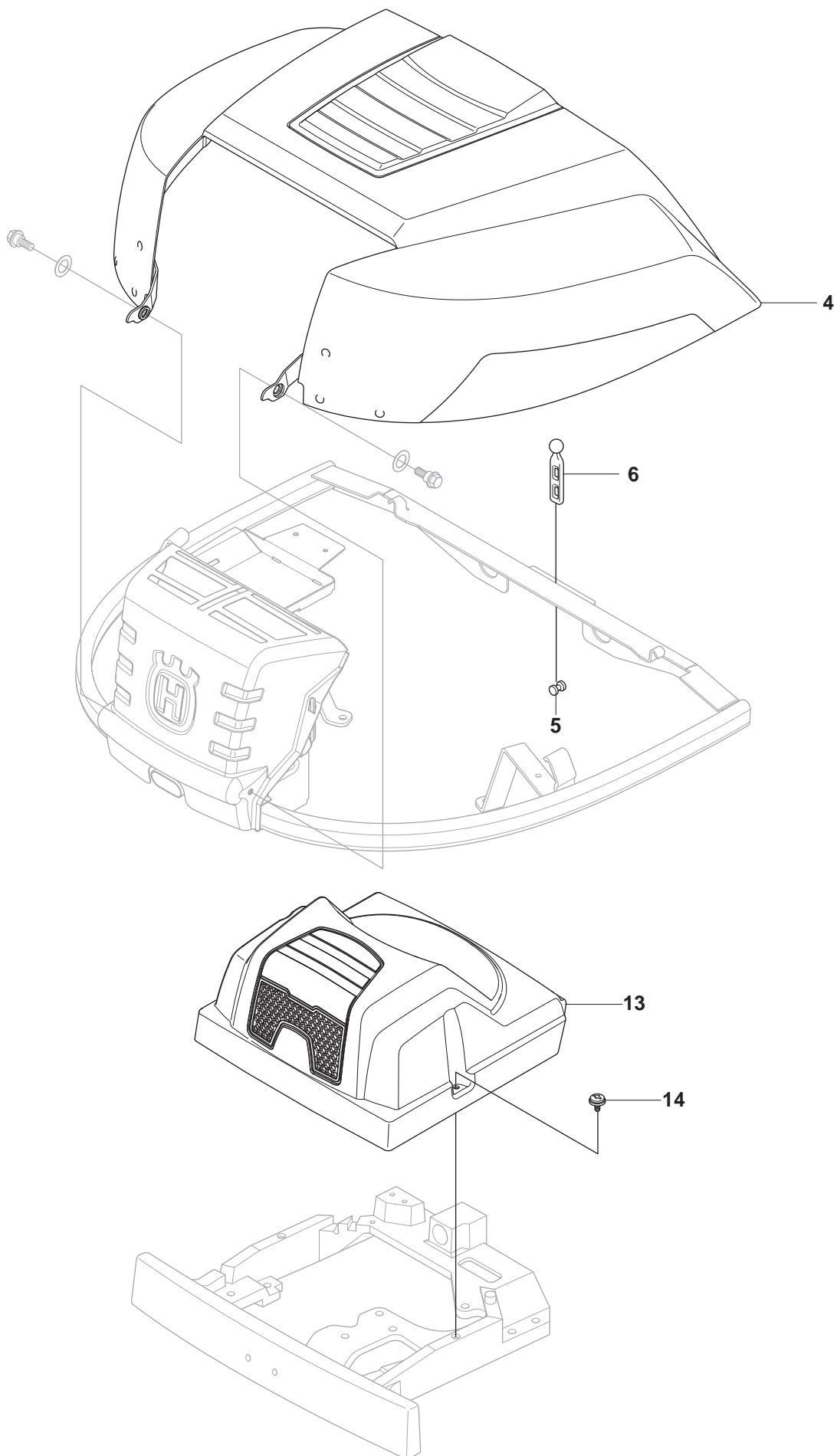
**B** 965 09 47-01 RIDER R15V2AWD  
FUEL SYSTEM



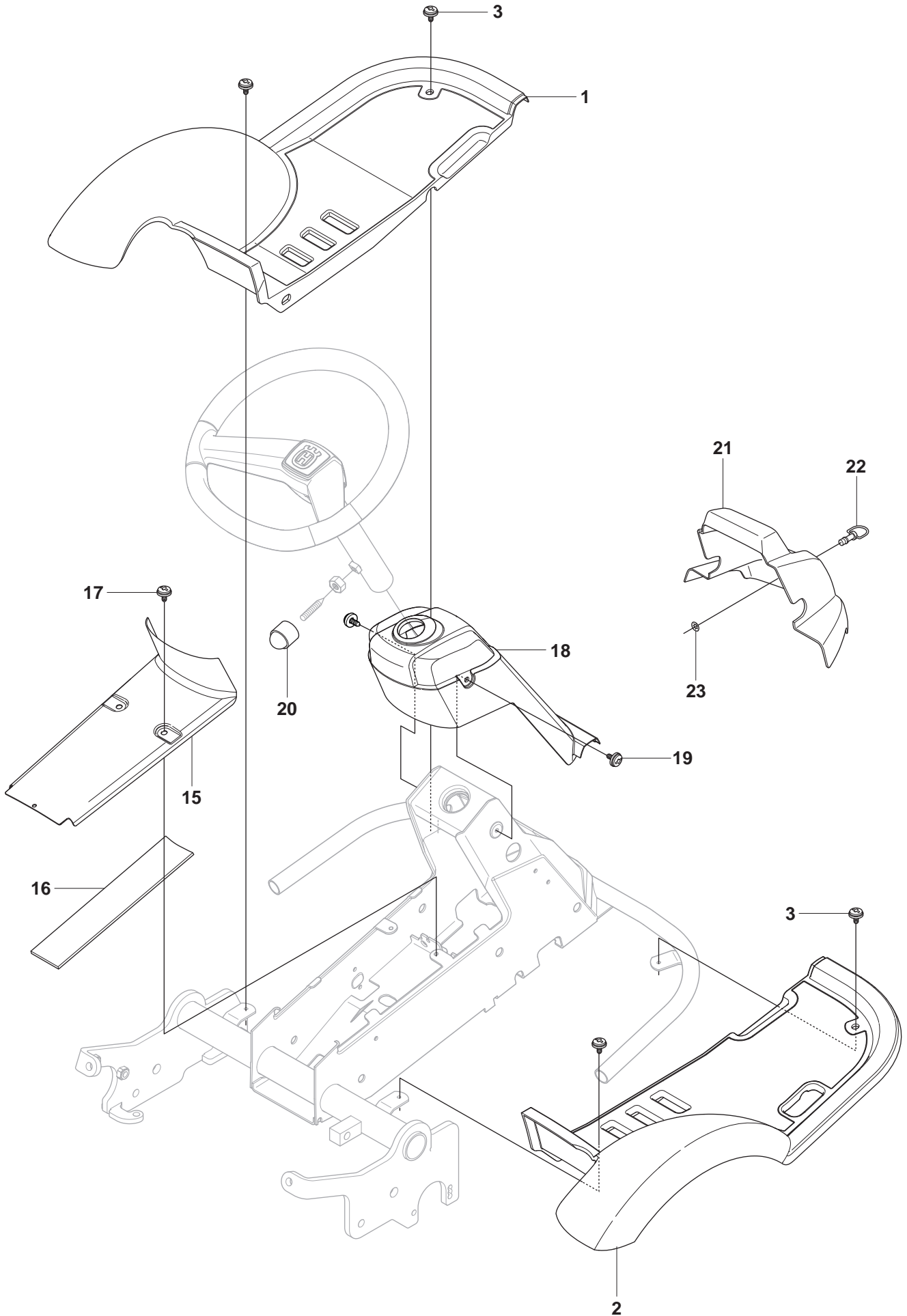
**B****965 09 47-01 RIDER R15V2AWD  
FUEL SYSTEM**

<b>Pos.</b>	<b>Compl No.</b>	<b>Part No.</b>	<b>Description</b>	<b>Qty.</b>	<b>Notes</b>
1		535 50 13-01		1	
2		544 32 93-01		1	
3		732 21 16-01		2	
4		734 11 56-01		1	
5		506 67 33-01		1	
6		506 94 67-03		1	
7		535 46 97-01		2	
8		725 23 64-61		1	
9		501 02 03-01		1	
10		725 24 93-71		2	

**C1** 965 09 47-01 RIDER R15V2AWD  
COVER

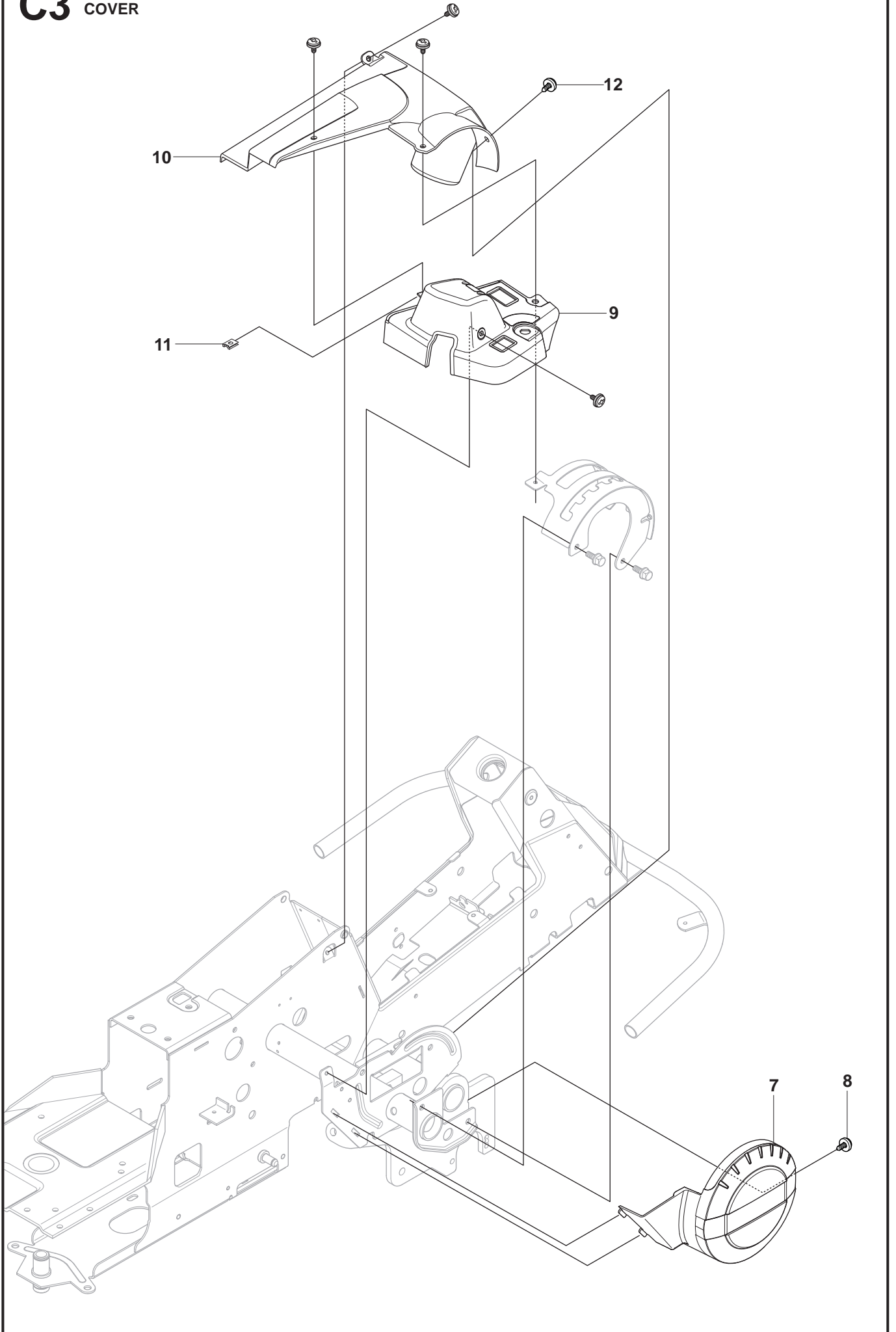


**C2** 965 09 47-01 RIDER R15V2AWD  
COVER



**C3**

965 09 47-01 RIDER R15V2AWD  
COVER



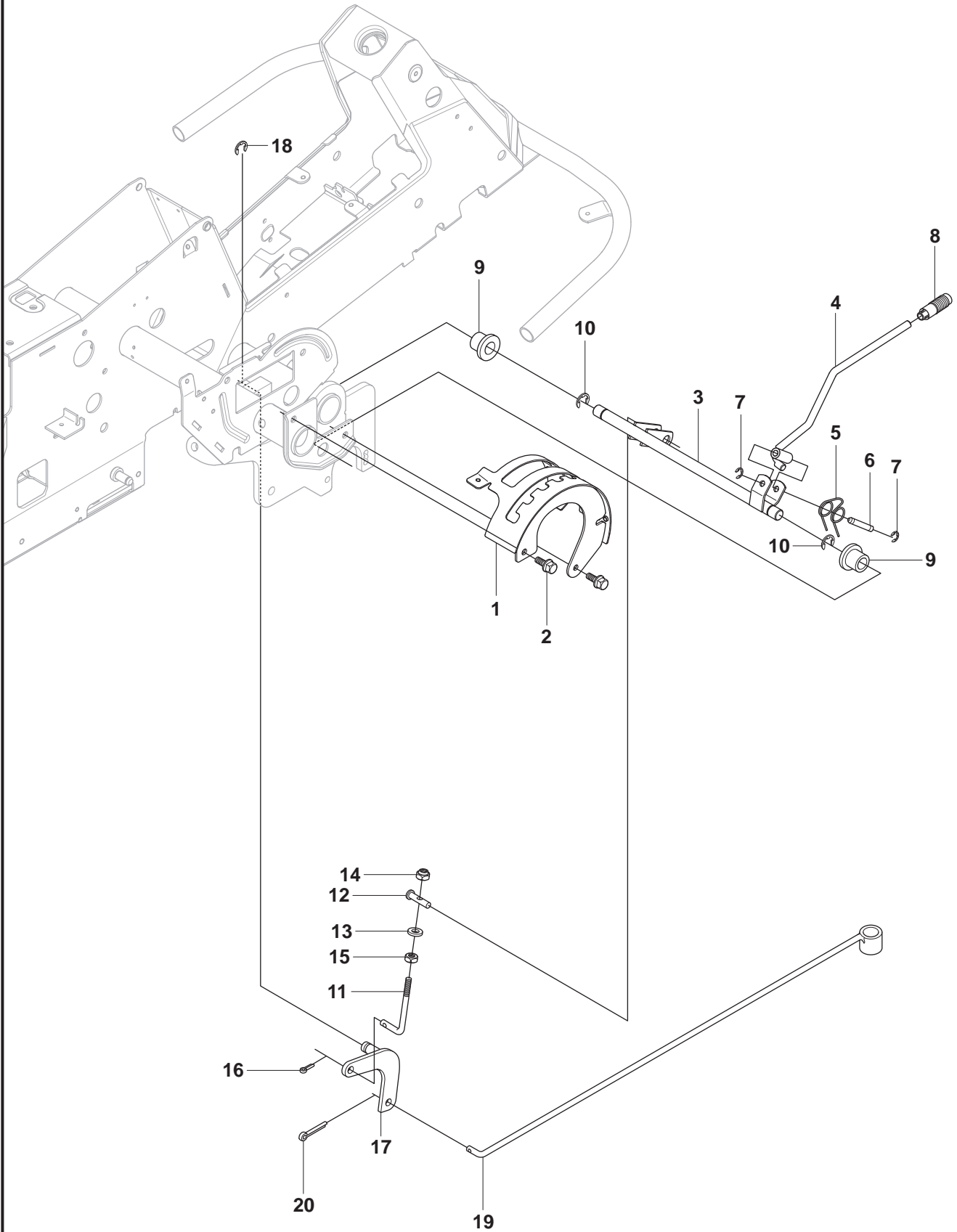




965 09 47-01 RIDER R15V2AWD  
COVER

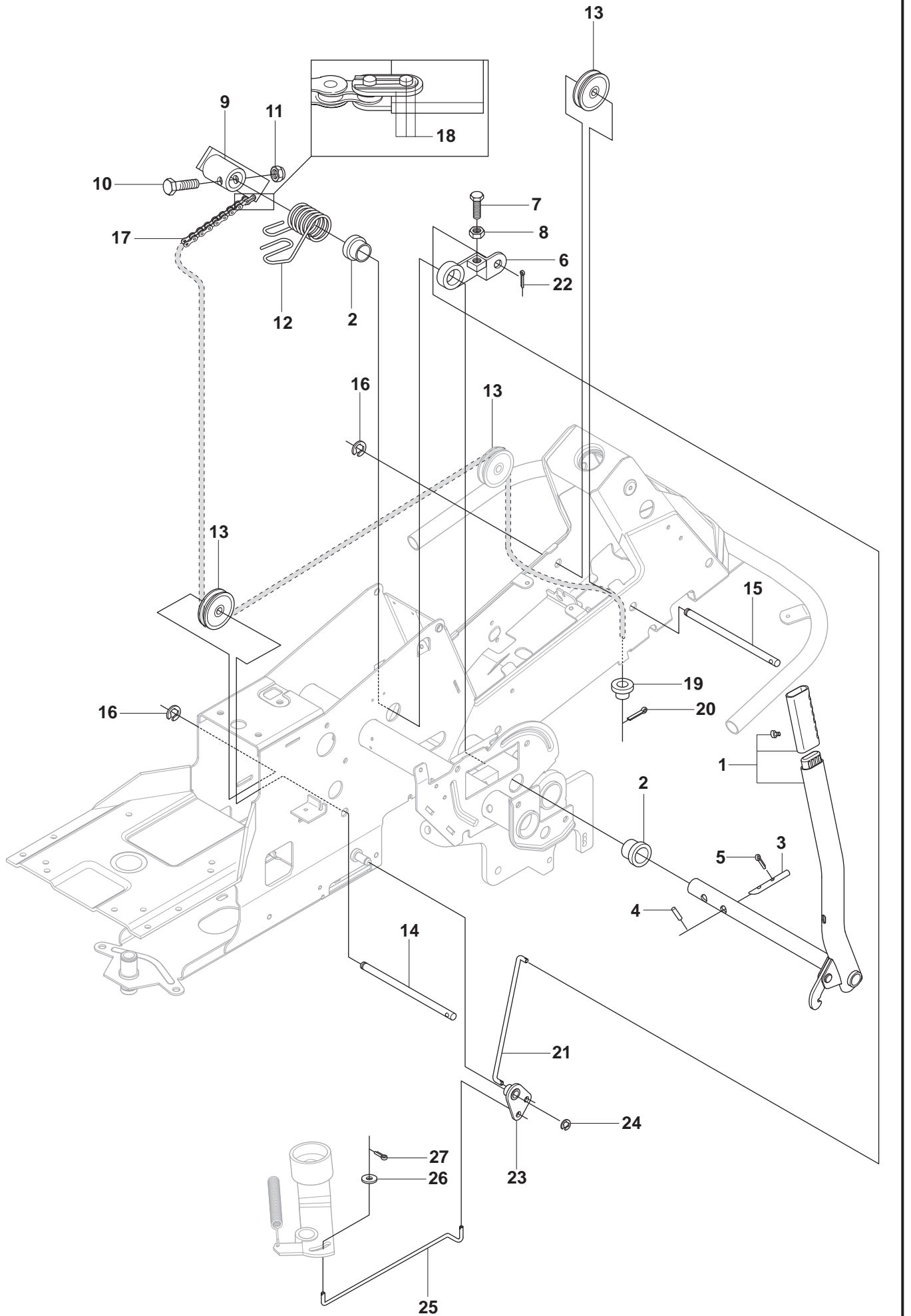
Pos.	Compl No.	Part No.	Description	Qty.	Notes
1		544 89 59-01		1	C2
2		544 89 59-03		1	C2
3		544 40 05-01		4	C2
4		544 24 50-01		1	C1
5		506 59 95-01		1	C1
6		506 59 96-01		1	C1
7		535 50 25-01		1	C3
8		544 40 05-01		1	C3
9		544 33 21-02		1	C3
10		544 33 22-02		1	C3
11		535 42 91-01		1	C3
12		544 40 05-01		4	C3
13		544 37 39-01		1	C1
14		544 40 05-01		2	C1
15		544 23 92-01		1	C2
16		544 42 75-01		1	C2
17		544 40 05-01		2	C2
18		544 32 65-01		1	C2
19		544 40 05-01		2	C2
20		544 43 32-01		1	C2
21		535 43 39-01		1	C2
22		506 96 35-01		1	C2
23		506 96 36-01		1	C2

**D** 965 09 47-01 RIDER R15V2AWD  
HEIGHT ADJUSTMENT



**D****965 09 47-01 RIDER R15V2AWD  
HEIGHT ADJUSTMENT**

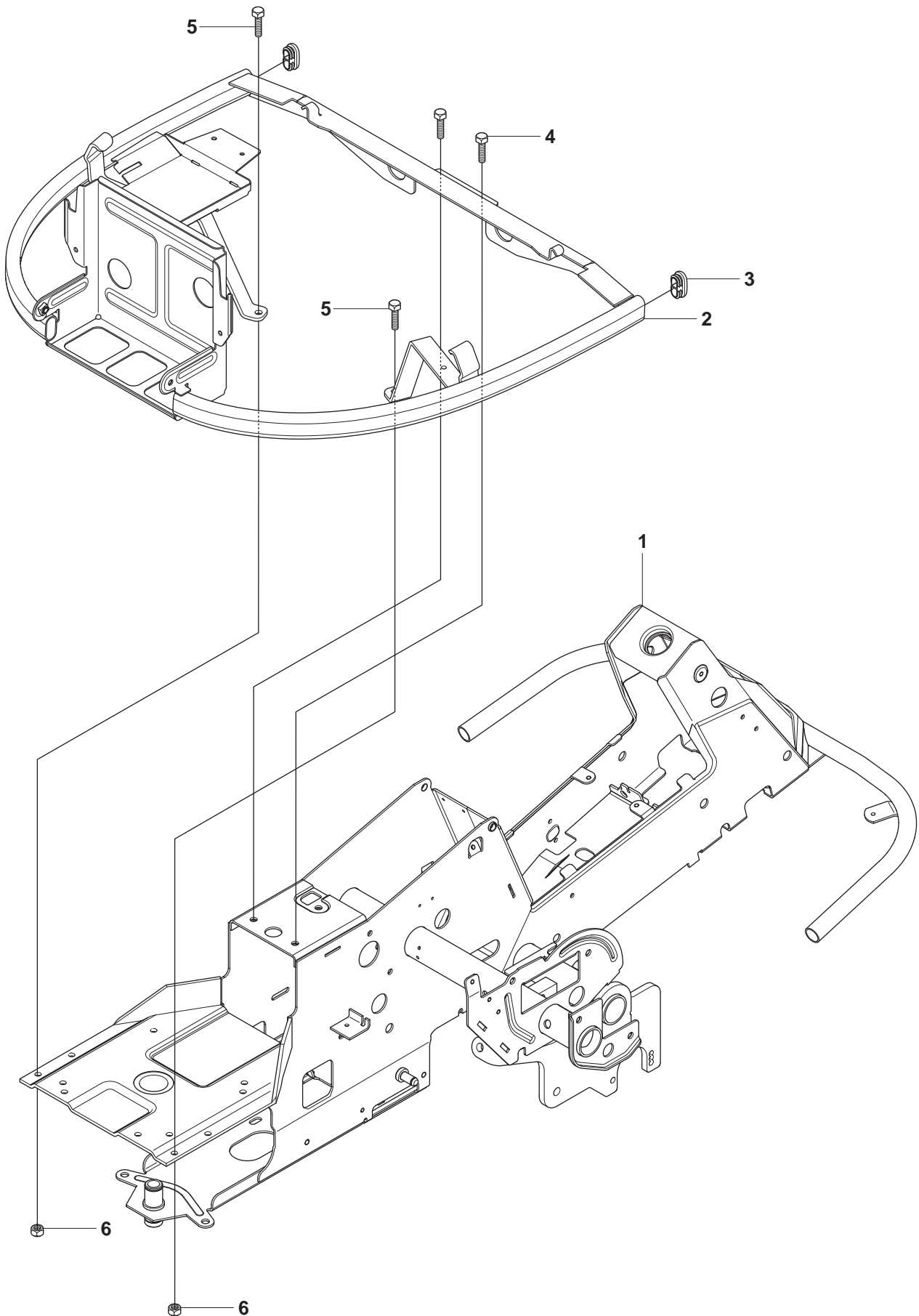
<b>Pos.</b>	<b>Compl No.</b>	<b>Part No.</b>	<b>Description</b>	<b>Qty.</b>	<b>Notes</b>
1		535 50 14-01		1	
2		506 57 01-03		2	
3		535 50 64-01		1	
4		535 50 62-01		1	
5		506 53 14-01		1	
6		506 53 15-01		1	
7		735 31 09-20		2	
8		506 54 20-01		1	
9		506 55 43-01		2	
10		735 31 22-20		2	
11		506 90 82-01		1	
12		506 78 46-01		1	
13		734 11 72-01		1	
14		732 21 18-01		1	
15		731 23 18-01		1	
16		721 61 83-01		1	
17		506 99 83-01		1	
18		735 31 15-20		1	
19		506 97 51-01		1	
20		721 61 83-01		1	

**E****965 09 47-01 RIDER R15V2AWD  
MOWER LIFT**



965 09 47-01 RIDER R15V2AWD  
MOWER LIFT

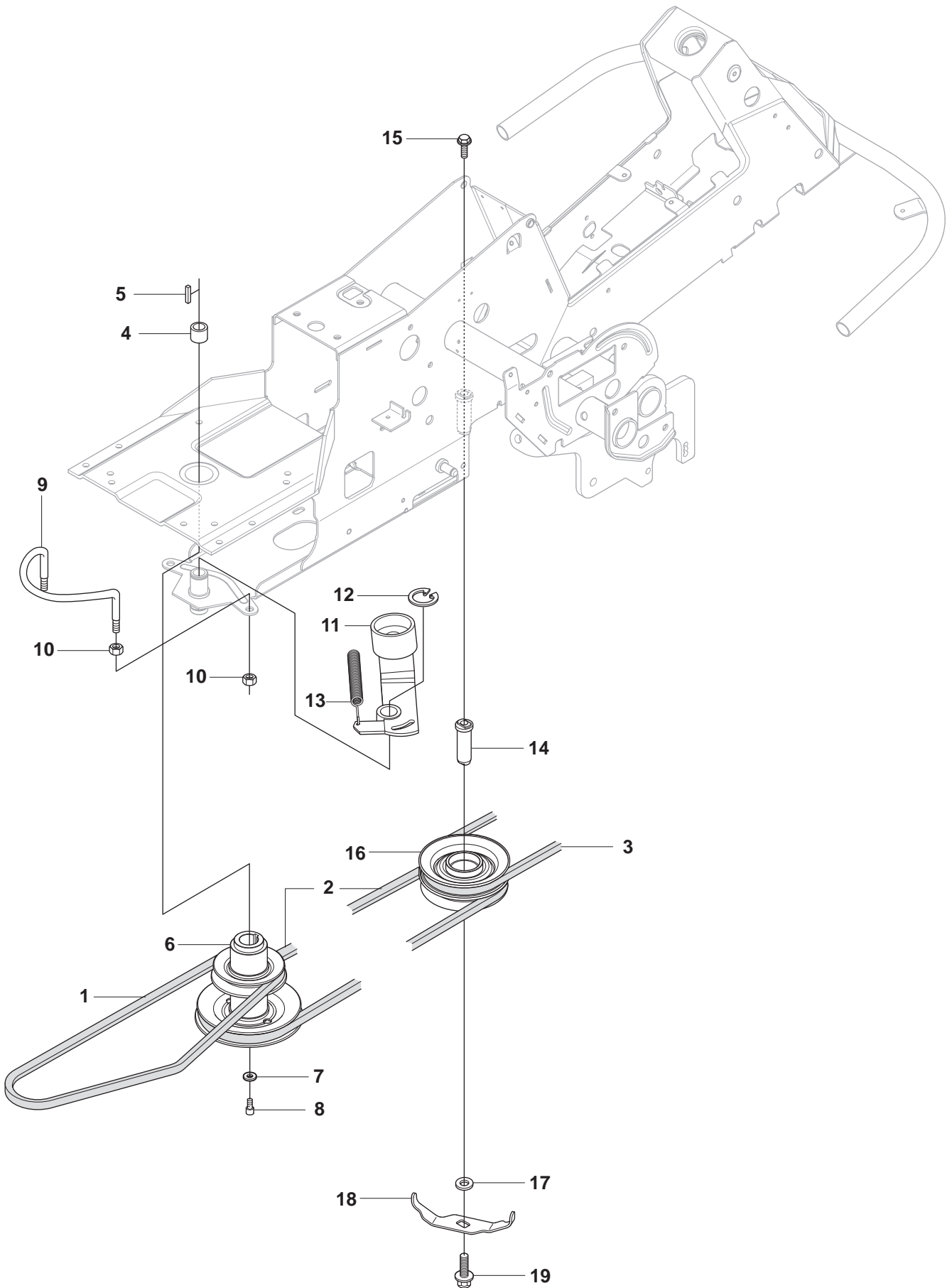
Pos.	Compl No.	Part No.	Description	Qty.	Notes
1		501 01 86-01		1	
2		506 55 65-01		2	
3		506 90 53-01		1	
4		721 12 59-30		1	
5		721 61 83-01		1	
6		506 78 43-01		1	
7		725 24 97-51		1	
8		731 23 20-51		1	
9		506 90 54-01		1	
10		725 25 42-51		1	
11		732 25 22-01		1	
12		506 91 68-01		1	
13		506 90 56-01		2	
14		506 90 57-01		1	
15		506 90 57-02		1	
16		735 31 18-20		2	
17		506 55 46-07		1	
18		506 55 47-01		1	
19		506 90 59-01		1	
20		721 61 87-01		1	
21		544 45 69-01		1	
22		721 61 83-01		1	
23		544 37 86-01		1	
24		735 31 14-20		1	
25		544 44 88-01		1	
26		734 11 64-41		1	
27		721 61 83-01		1	

**F****965 09 47-01 RIDER R15V2AWD  
CHASSIS**

**F**965 09 47-01 RIDER R15V2AWD  
CHASSIS

Pos.	Compl No.	Part No.	Description	Qty.	Notes
1		544 84 24-01		1	
2		544 24 42-01		1	
3		544 24 44-01		2	
4		506 57 01-03		2	
5		725 24 51-71		2	
6		732 21 18-01		2	

**G** 965 09 47-01 RIDER R15V2AWD  
TRANSMISSION





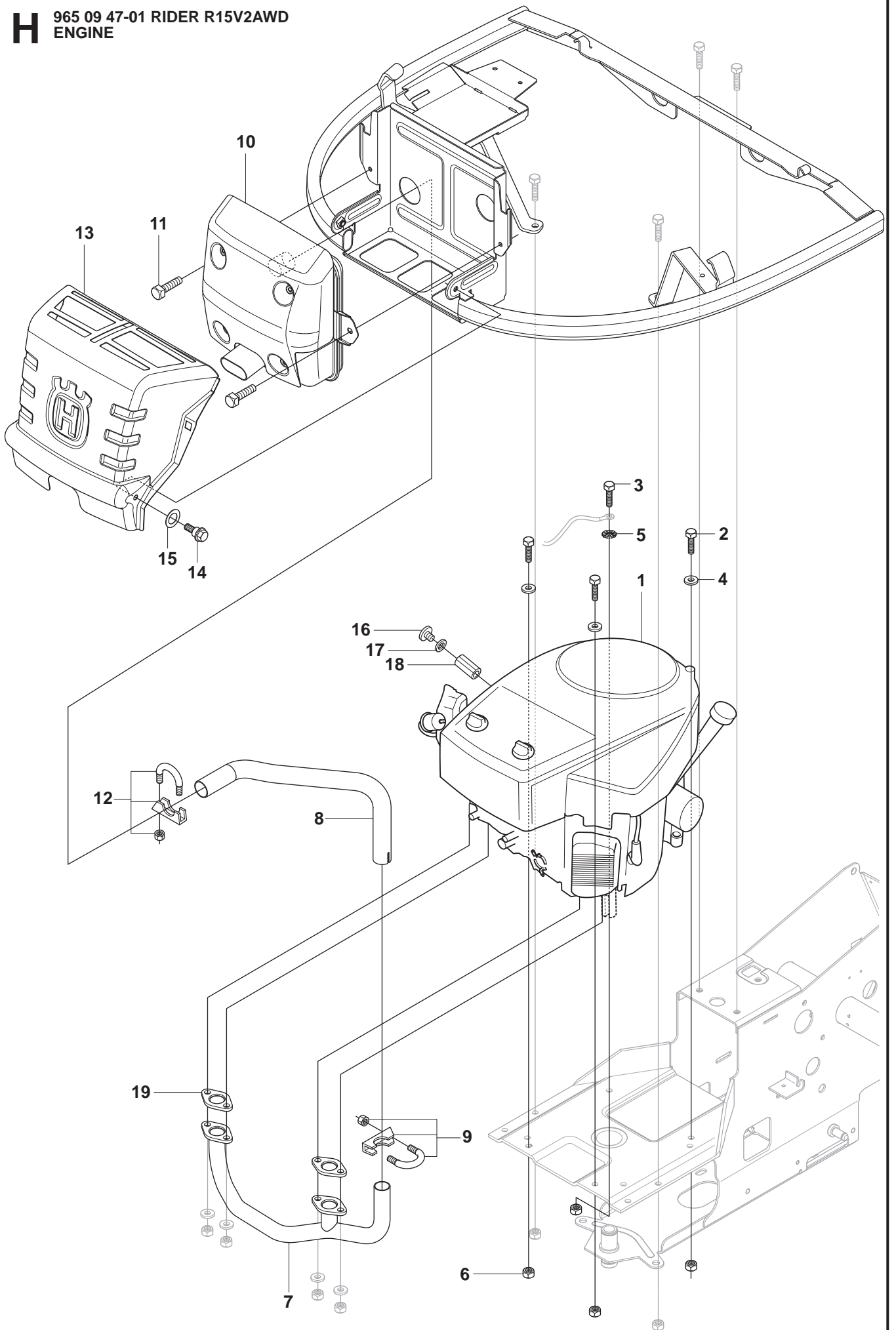


965 09 47-01 RIDER R15V2AWD  
TRANSMISSION

Pos.	Compl No.	Part No.	Description	Qty.	Notes
1		506 98 83-01		1	
2		544 40 02-01		1	
3		535 41 19-01		1	
4		506 50 92-01		1	
5		506 55 59-01		1	
6		535 48 24-01		1	
7		506 59 75-01		1	
8		506 55 60-02		1	
9		506 66 45-01		1	
10		731 23 20-51		4	
11		535 48 44-01		1	
12		735 31 26-00		1	
13		506 66 56-01		1	
14		544 42 61-01		1	
15		506 67 54-01		1	
16		535 48 22-01		1	
17		506 77 57-01		1	
18		544 40 53-01		1	
19		506 57 01-05		1	



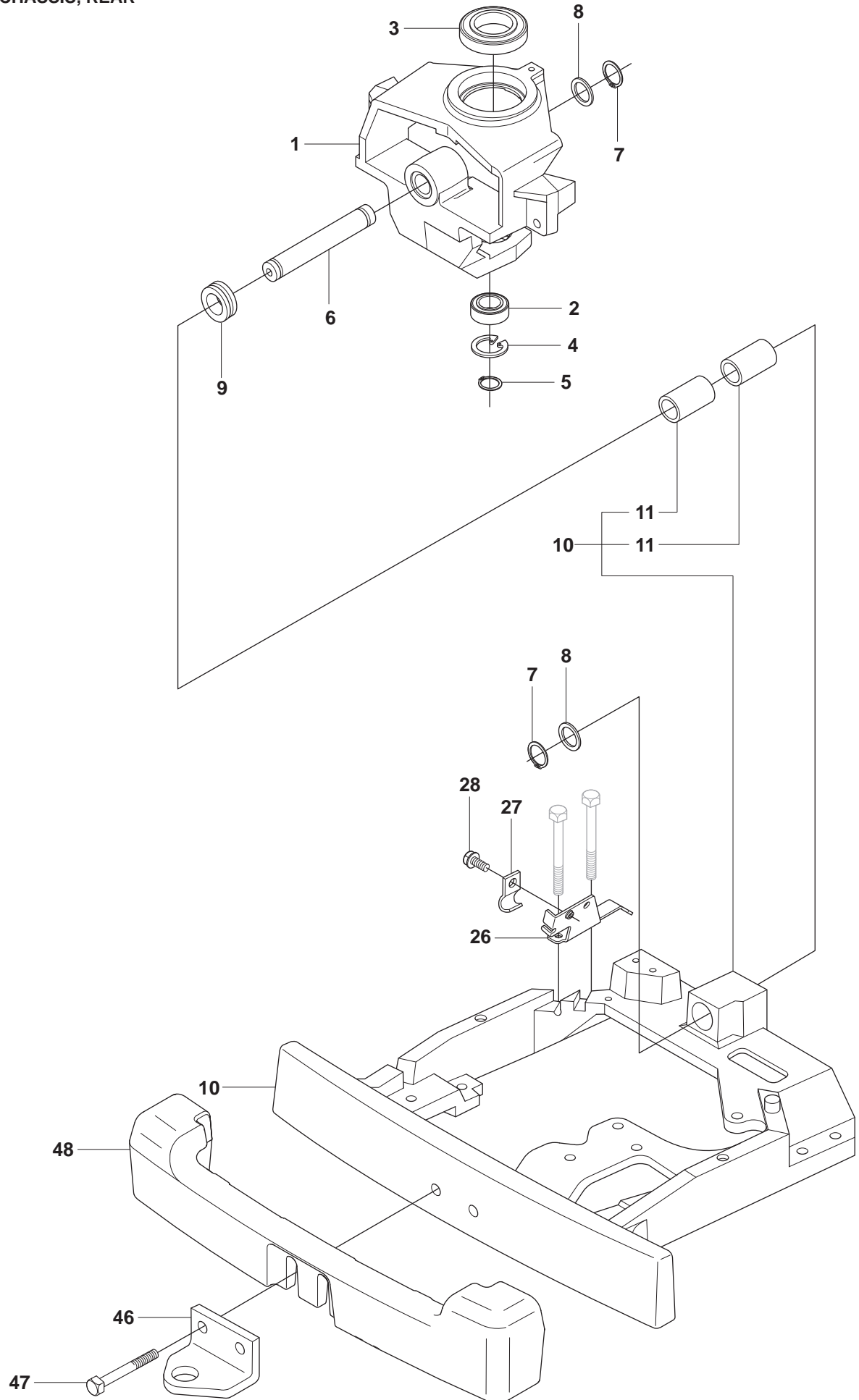
965 09 47-01 RIDER R15V2AWD  
ENGINE

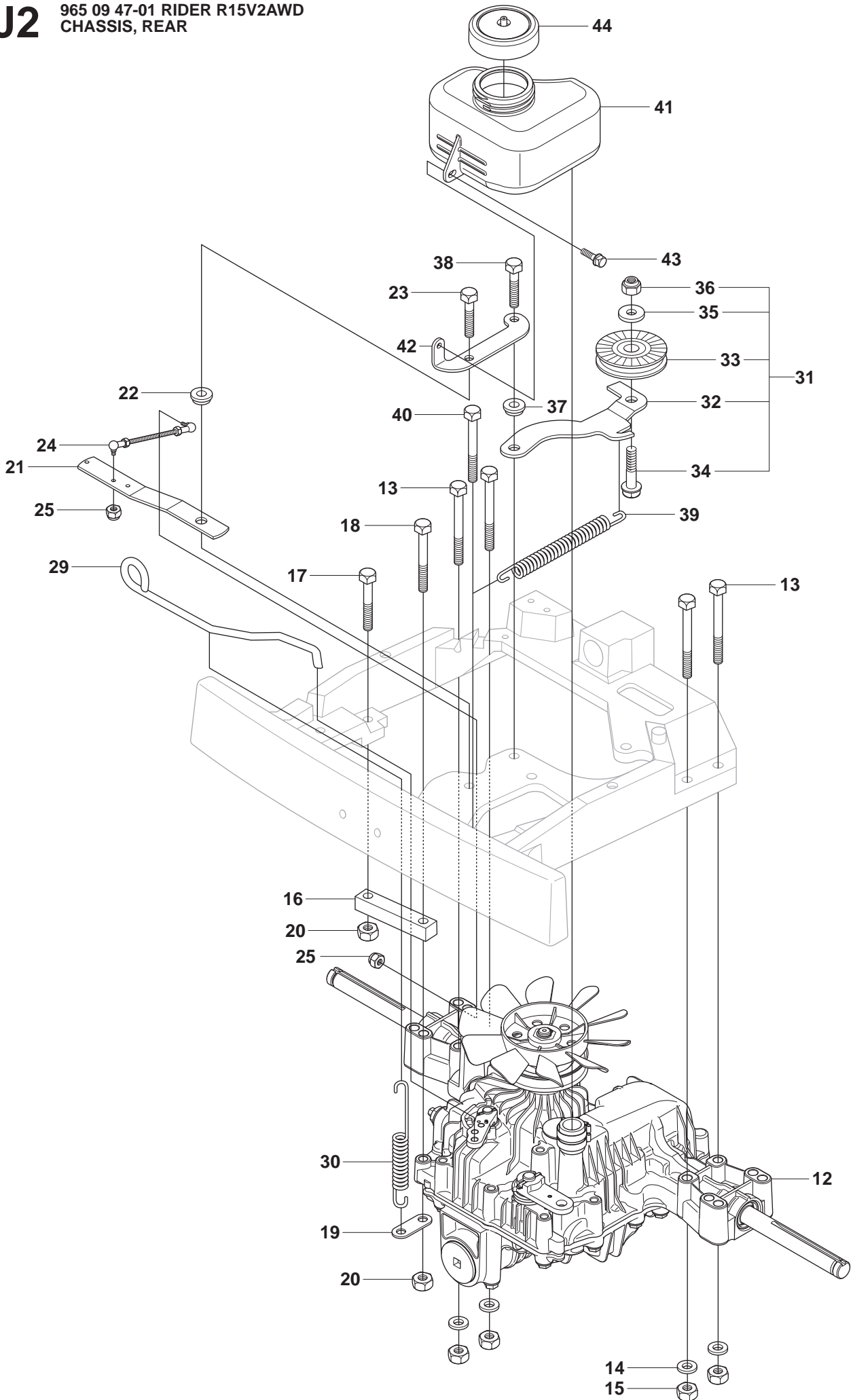




965 09 47-01 RIDER R15V2AWD  
ENGINE

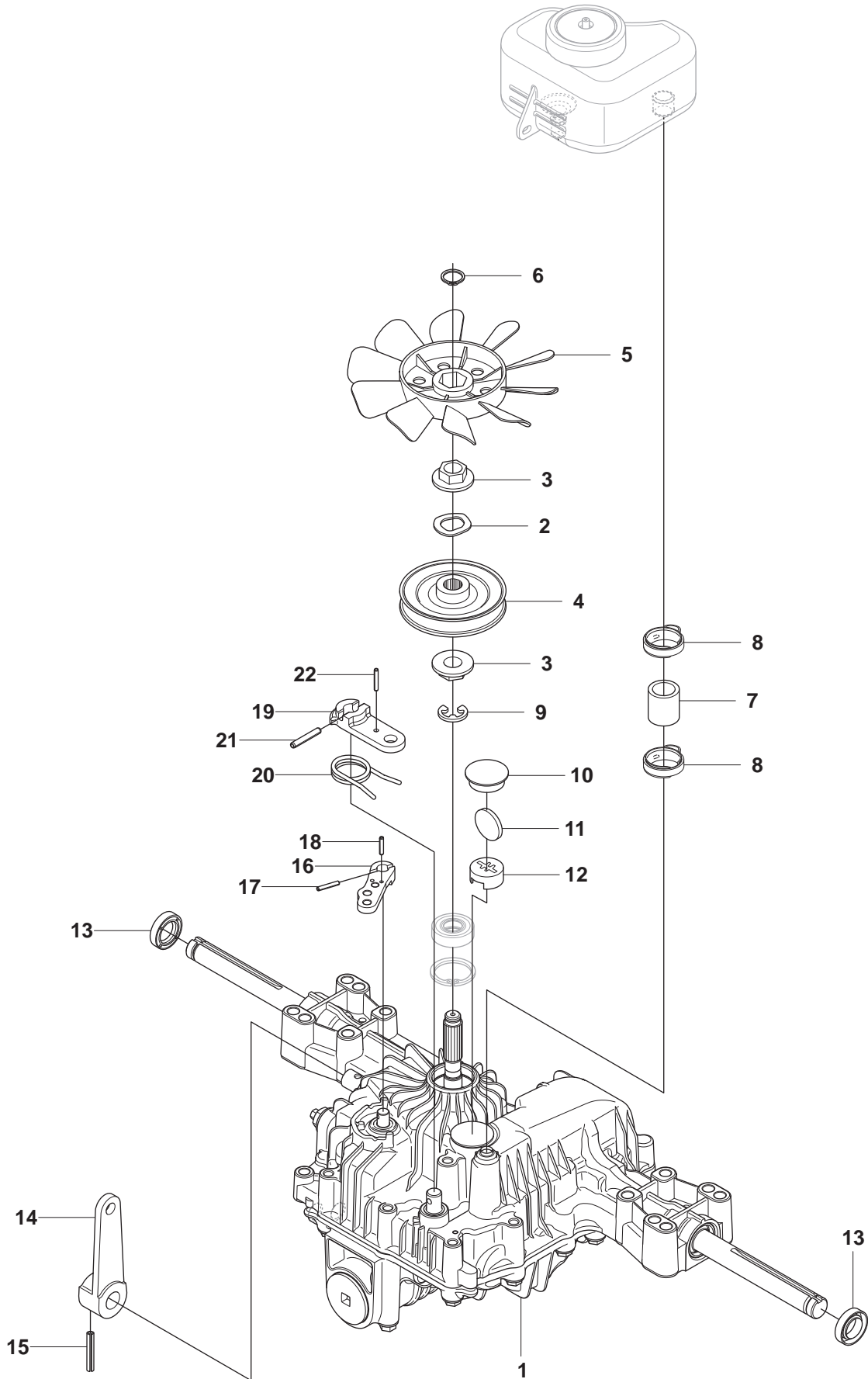
Pos.	Compl No.	Part No.	Description	Qty.	Notes
1		535 45 19-01		1	
2		725 24 57-51		3	
3		725 24 59-51		1	
4		734 11 64-01		3	
5		735 21 64-00		1	
6		732 21 18-01		4	
7		535 44 79-01		1	
8		544 01 33-01		1	
9		506 66 84-01		1	
10		544 33 57-02		1	
11		725 23 64-61		2	
12		506 66 84-01		1	
13		544 24 83-01		1	
14		506 59 74-01		2	
15		506 83 94-01		2	
16	535 45 19-01	535 41 44-60		1	
17	535 45 19-01	531 00 11-90		1	
18	535 45 19-01	535 41 44-16		1	
19	535 45 19-01	535 41 42-36		2	

**J1****965 09 47-01 RIDER R15V2AWD  
CHASSIS, REAR**

**J2**965 09 47-01 RIDER R15V2AWD  
CHASSIS, REAR

**J****965 09 47-01 RIDER R15V2AWD  
CHASSIS, REAR**

Pos.	Compl No.	Part No.	Description	Qty.	Notes
1		506 98 58-03		1	J1
2		738 21 05-04		1	J1
3		738 21 10-04		1	J1
4		735 31 40-10		1	J1
5		735 31 26-00		1	J1
6		506 98 59-01		1	J1
7		735 31 26-00		2	J1
8		506 77 34-01		2	J1
9		740 68 14-21		1	J1
10		535 40 60-01		1	J1
11	535 40 60-01	506 98 61-02		2	J1
12		544 11 61-01		1	J2
13		725 24 67-51		4	J2
14		734 11 64-01		4	J2
15		731 23 18-01		4	J2
16		506 98 72-01		1	J2
17		725 24 59-51		1	J2
18		725 24 62-51		1	J2
19		506 59 93-01		1	J2
20		731 23 18-01		2	J2
21		506 98 74-03		1	J2
22		506 91 87-02		1	J2
23		725 24 51-51		1	J2
24		506 98 75-01		1	J2
25		732 21 14-01		2	J2
26		544 26 21-01		1	J1
27		506 56 65-01		1	J1
28		725 23 64-61		1	J1
29		506 98 82-01		1	J2
30		506 83 43-01		1	J2
31		506 98 84-01		1	J2
32	506 98 84-01	506 98 85-01		1	J2
33	506 98 84-01	506 94 69-01		1	J2
34	506 98 84-01	725 24 55-51		1	J2
35	506 98 84-01	734 11 64-41		1	J2
36	506 98 84-01	732 21 18-01		1	J2
37		506 91 87-02		1	J2
38		725 24 51-51		1	J2
39		506 98 86-01		1	J2
40		725 24 64-51		1	J2
41		544 10 01-01		1	J2
42		544 12 17-01		1	J2
43		725 23 64-61		1	J2
44		506 67 33-01		1	J2
45		506 88 99-01		1	J1
46		725 25 00-51		2	J1
47		544 03 96-02		1	J1

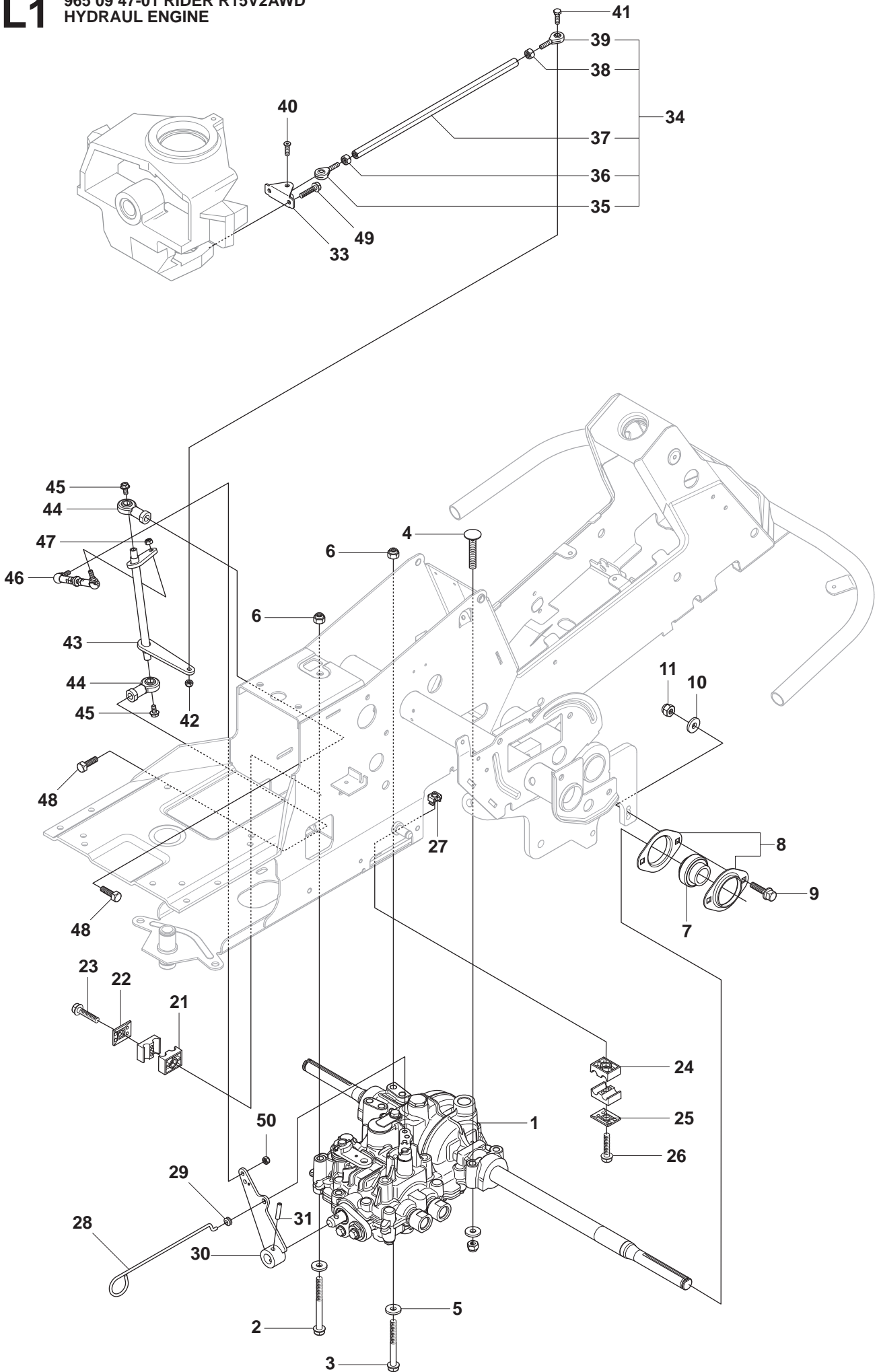




965 09 47-01 RIDER R15V2AWD  
HYDROSTAT K574 SP

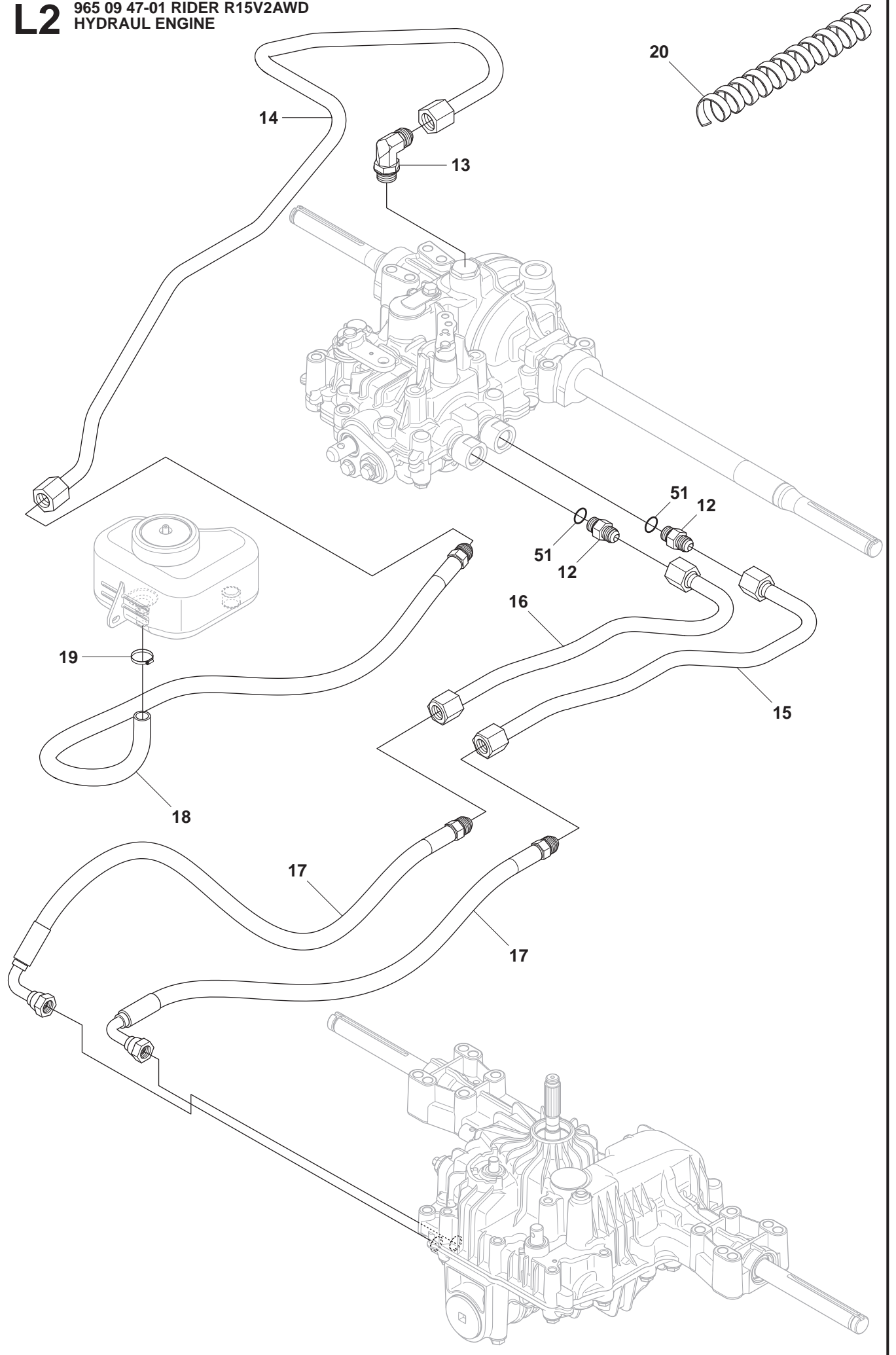
Pos.	Compl No.	Part No.	Description	Qty.	Notes
1		544 11 61-01		1	
2		506 98 65-01		1	
3		506 98 66-01		2	
4		506 98 67-01		1	
5		506 98 68-01		1	
6		735 31 15-00		1	
7		506 98 69-01		1	
8		506 98 70-01		2	
9	544 11 61-01	735 31 28-00		1	
10	544 11 61-01	535 40 28-32		1	
11	544 11 61-01	535 40 28-29		1	
12	544 11 61-01	535 40 28-30		1	
13	544 11 61-01	535 40 28-37		2	
14	544 11 61-01	535 40 28-35		1	
15	544 11 61-01	535 40 28-09		1	
16	544 11 61-01	535 40 28-17		1	
17	544 11 61-01	535 40 28-16		1	
18	544 11 61-01	535 40 28-33		1	
19	544 11 61-01	535 40 28-38		1	
20	544 11 61-01	535 40 28-39		1	
21	544 11 61-01	535 40 28-40		1	
22	544 11 61-01	535 40 28-41		1	



**L1****965 09 47-01 RIDER R15V2AWD  
HYDRAUL ENGINE**

**L2**

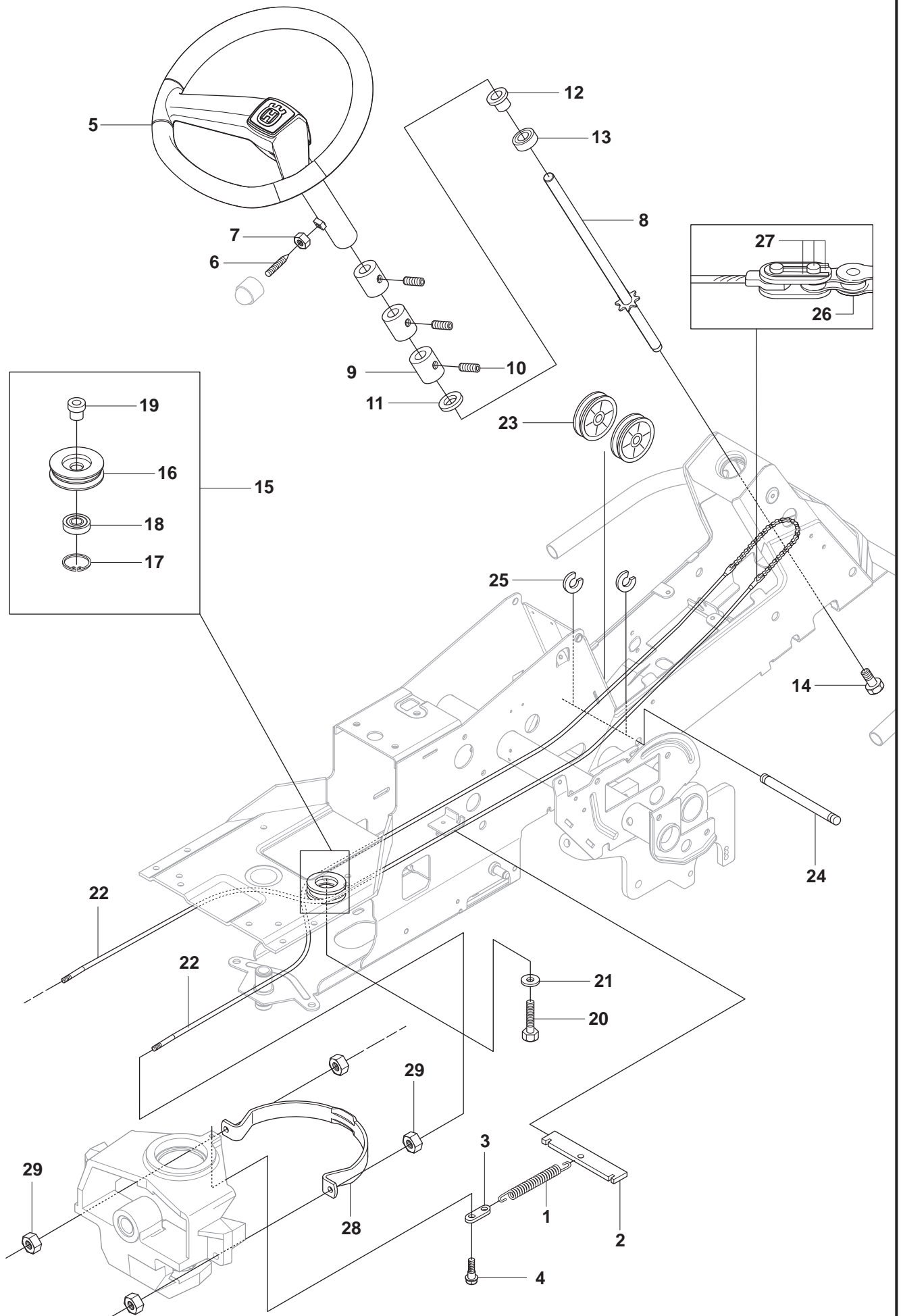
965 09 47-01 RIDER R15V2AWD  
HYDRAUL ENGINE





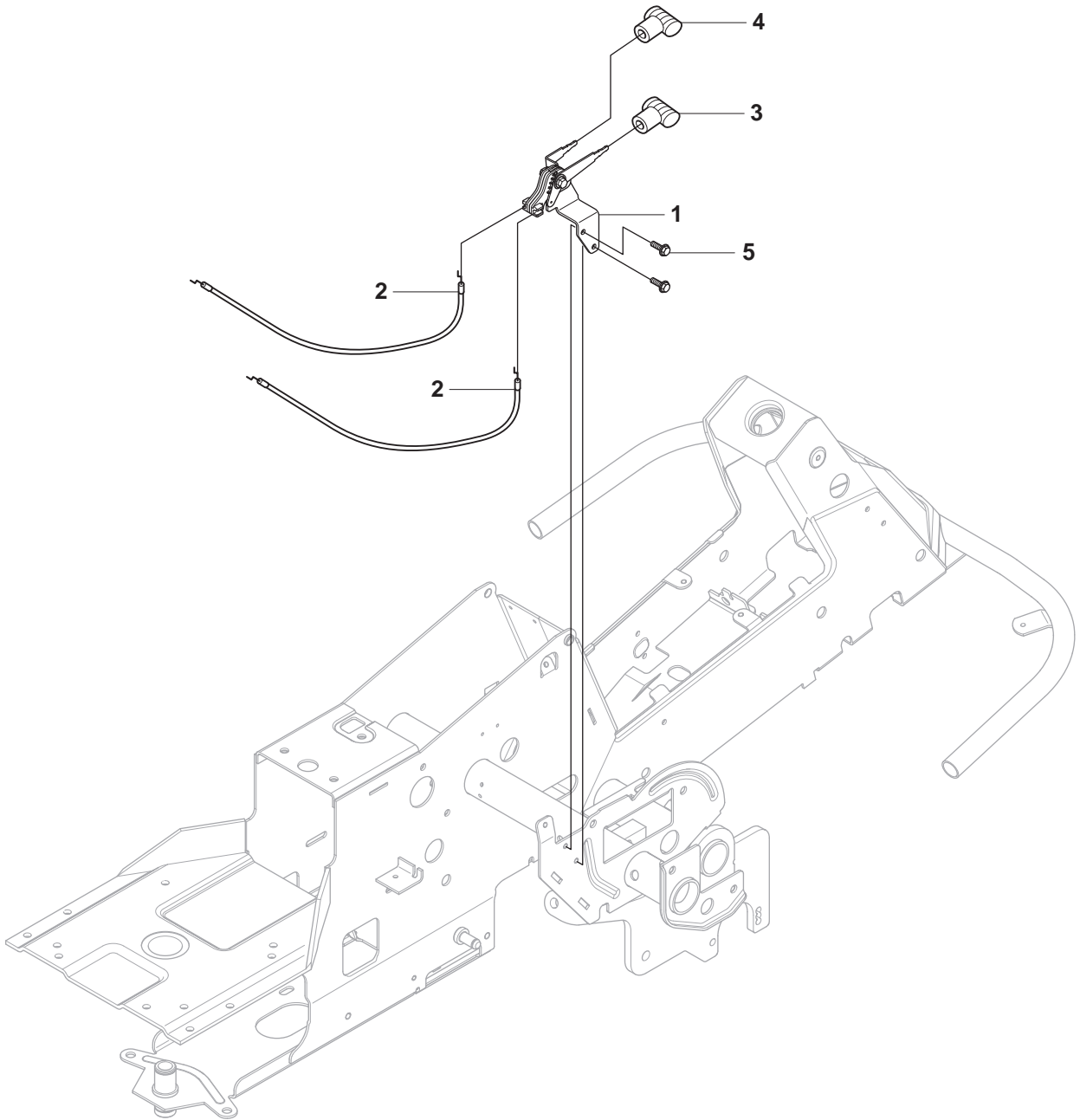
965 09 47-01 RIDER R15V2AWD  
HYDRAUL ENGINE

Pos.	Compl No.	Part No.	Description	Qty.	Notes
1		544 11 60-01		1	L1
2		725 24 67-51		1	L1
3		725 24 64-51		1	L1
4		535 42 38-03		1	L1
5		734 11 64-01		3	L1
6		732 21 18-01		3	L1
7		544 00 89-01		1	L1
8		544 00 90-01		1	L1
9		506 57 01-05		2	L1
10		734 11 64-01		2	L1
11		732 21 18-01		2	L1
12		535 42 65-07		2	L2
13		535 43 73-02		1	L2
14		544 80 78-01		1	L2
15		544 80 79-01		1	L2
16		544 80 80-01		1	L2
17		544 45 64-03		2	L2
18		544 12 22-01		1	L2
19		544 20 27-01		1	L2
20		544 02 66-01		1	L2
21		544 37 33-03		1	L1
22		535 43 85-01		1	L1
23		725 23 78-61		1	L1
24		544 37 33-02		1	L1
25		544 37 38-02		1	L1
26		506 57 01-07		1	L1
27		544 81 17-01		1	L1
28		535 49 97-01		1	L1
29		503 73 58-01		1	L1
30		544 43 52-01		1	L1
31		721 43 47-01		1	L1
33		535 49 28-02		1	L1
34		544 45 67-03		1	L1
35	544 45 67-03	535 48 66-02		1	L1
36	544 45 67-03	503 22 10-18		1	L1
37	544 45 67-03	535 48 65-03		1	L1
38	544 45 67-03	731 23 16-01		1	L1
39	544 45 67-03	535 48 66-01		1	L1
40		544 84 17-01		1	L1
41		725 23 70-71		1	L1
42		732 25 16-01		1	L1
43		535 49 74-01		1	L1
44		506 95 17-01		2	L1
45		535 47 52-12		2	L1
46		544 44 19-01		1	L1
47		732 25 16-01		1	L1
48		725 24 93-71		2	L1
49		725 23 66-51		2	L1
50		732 21 16-01		1	L1
51		505 45 11-01	<b>NEW PART</b>	2	L2

**M****965 09 47-01 RIDER R15V2AWD  
STEERING**

**M****965 09 47-01 RIDER R15V2AWD  
STEERING**

<b>Pos.</b>	<b>Compl No.</b>	<b>Part No.</b>	<b>Description</b>	<b>Qty.</b>	<b>Notes</b>
1		506 67 19-01		1	
2		506 57 63-01		1	
3		506 67 08-01		1	
4		506 59 74-01		1	
5		544 37 52-02		1	
6		728 74 55-05		1	
7		731 23 18-01		1	
8		535 49 95-01		1	
9		506 86 34-01		3	
10		728 84 43-05		3	
11		506 86 36-01		1	
12		506 88 78-01		1	
13		738 21 04-04		1	
14		506 57 01-04		1	
15		506 50 09-03		1	
16	506 50 09-03	535 42 41-01		1	
17	506 50 09-03	735 31 40-10		1	
18	506 50 09-03	738 22 04-19		1	
19	506 50 09-03	506 50 08-02		1	
20		506 67 54-02		1	
21		734 11 74-41		1	
22		506 58 91-04		2	
23		506 52 24-01		2	
24		506 53 94-02		1	
25		735 31 14-20		2	
26		506 55 46-01		1	
27		506 55 47-01		2	
28		544 42 73-01		1	
29		731 23 20-51		4	

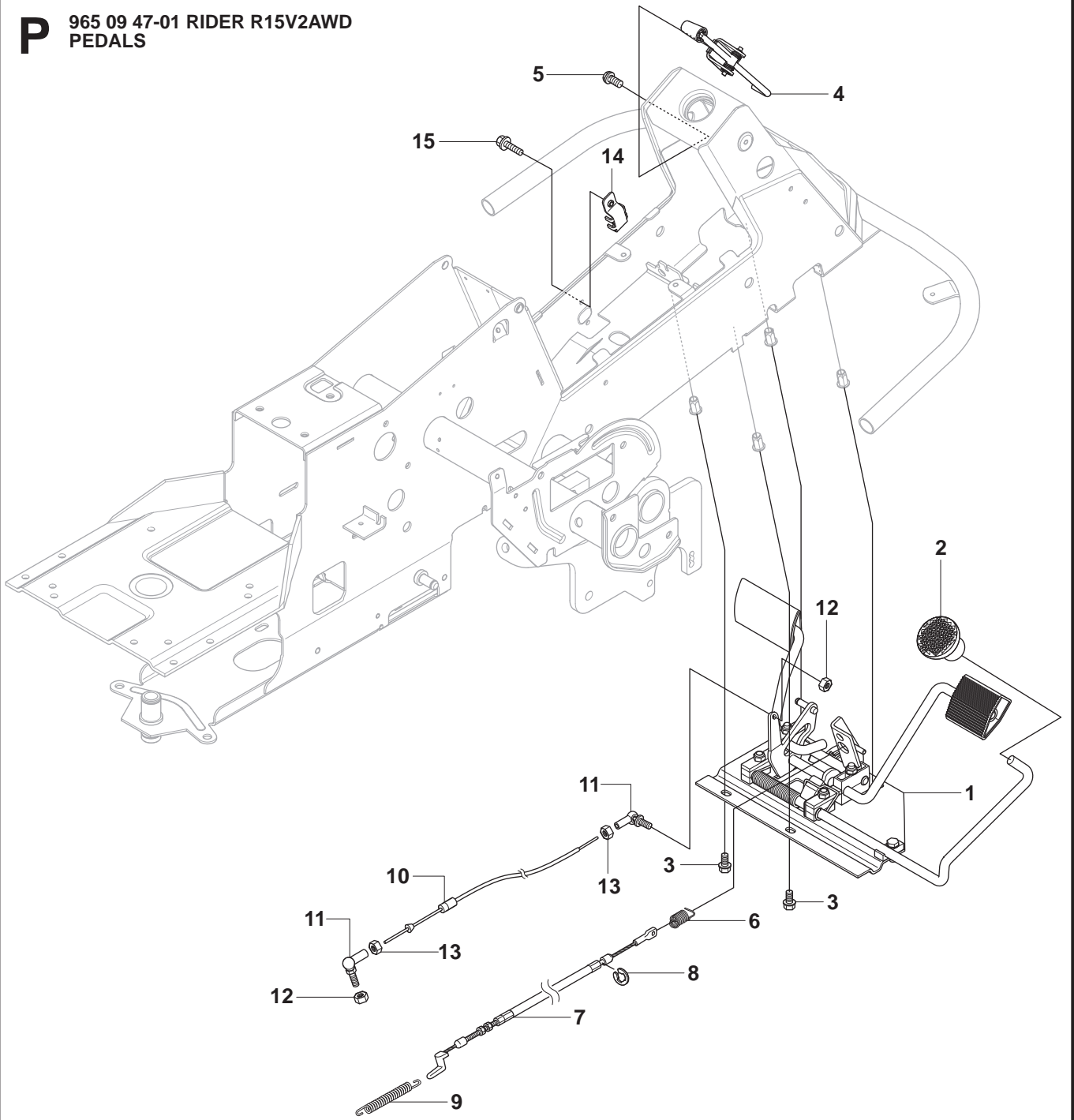
**N****965 09 47-01 RIDER R15V2AWD  
CONTROLS**

**N****965 09 47-01 RIDER R15V2AWD  
CONTROLS**

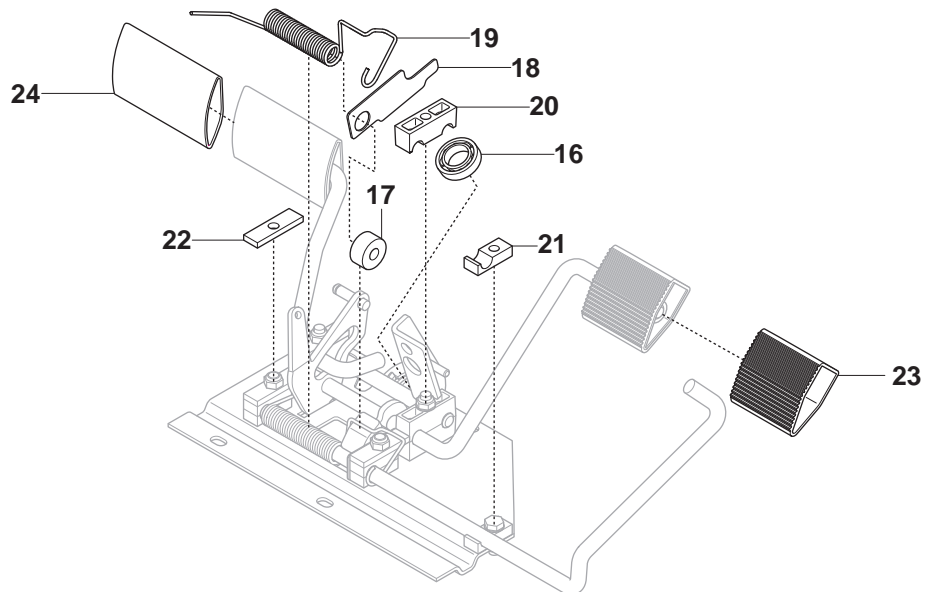
<b>Pos.</b>	<b>Compl No.</b>	<b>Part No.</b>	<b>Description</b>	<b>Qty.</b>	<b>Notes</b>
1		544 30 16-01		1	
2		544 30 17-02		2	
3		506 88 91-01		1	
4		506 88 91-02		1	
5		725 23 68-61		2	

**P**

965 09 47-01 RIDER R15V2AWD  
PEDALS



**PEDALS**



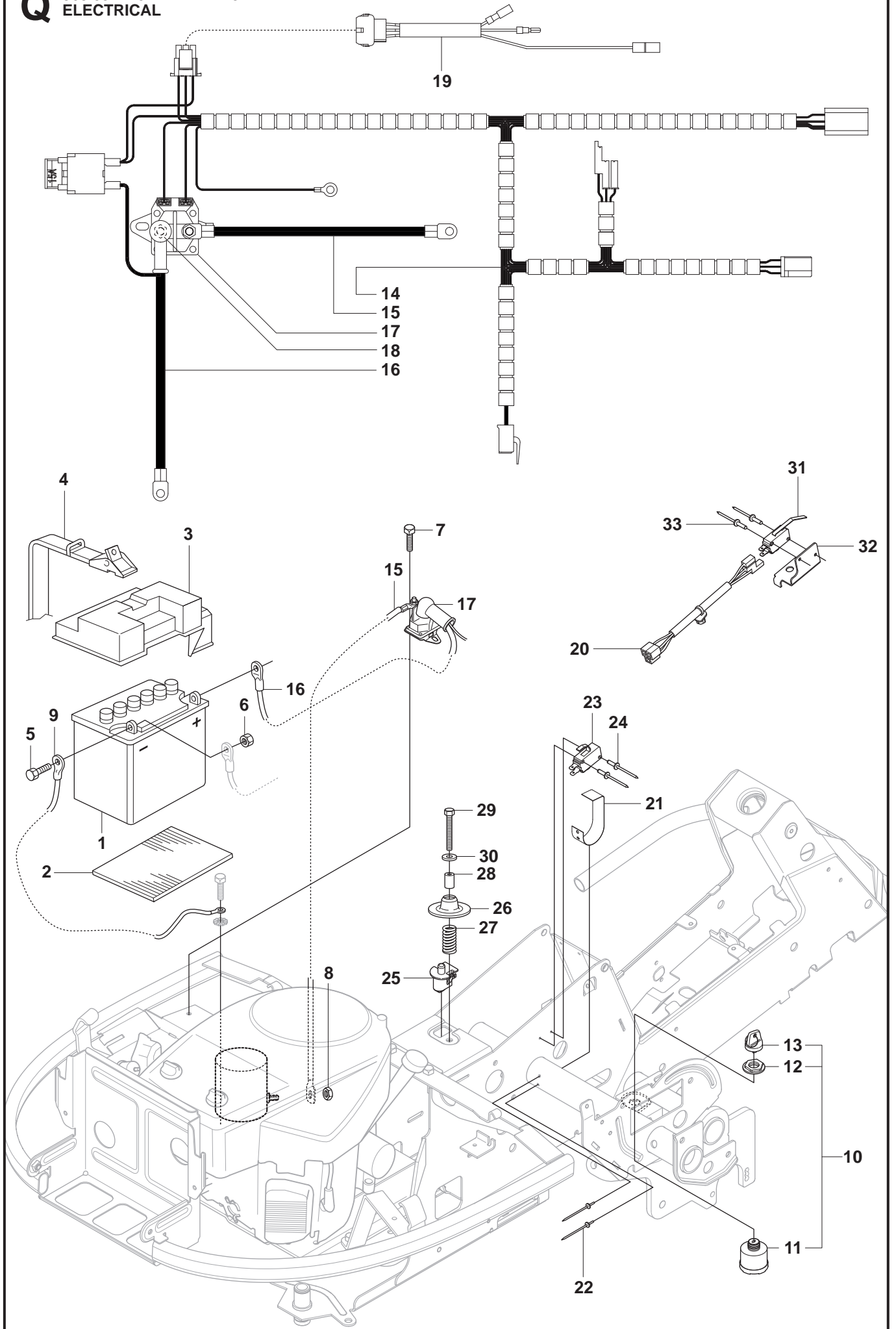




965 09 47-01 RIDER R15V2AWD  
PEDALS

Pos.	Compl No.	Part No.	Description	Qty.	Notes
1		544 12 60-01		1	
2		535 47 37-01		1	
3		506 57 01-04		4	
4		544 40 31-01		1	
5		725 23 64-61		2	
6		506 94 63-01		1	
7		535 48 96-01		1	
8		735 31 09-20		1	
9		506 53 56-03		1	
10		506 82 72-02		1	
11		506 55 73-01		2	
12		732 21 14-01		2	
13		731 23 14-01		2	
14		544 34 17-01		1	
15		725 23 64-61		1	
16	544 12 60-01	738 21 02-04		1	
17	544 12 60-01	535 48 02-01		1	
18	544 12 60-01	535 48 06-01		1	
19	544 12 60-01	535 48 07-01		1	
20	544 12 60-01	535 48 08-01		4	
21	544 12 60-01	535 48 09-01		1	
22	544 12 60-01	535 48 10-01		1	
23	544 12 60-01	535 47 88-01		1	
24	544 12 60-01	535 47 88-02		1	

**Q** 965 09 47-01 RIDER R15V2AWD  
ELECTRICAL

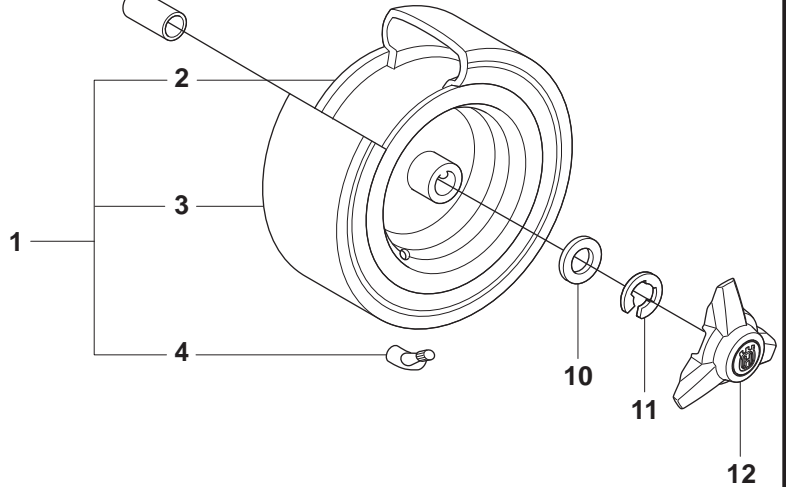
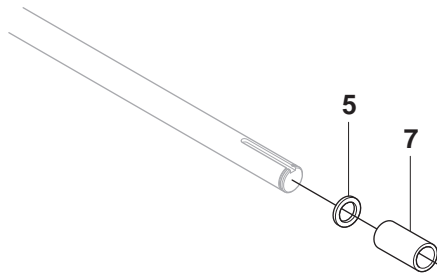
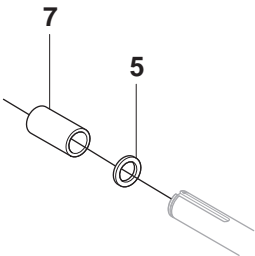
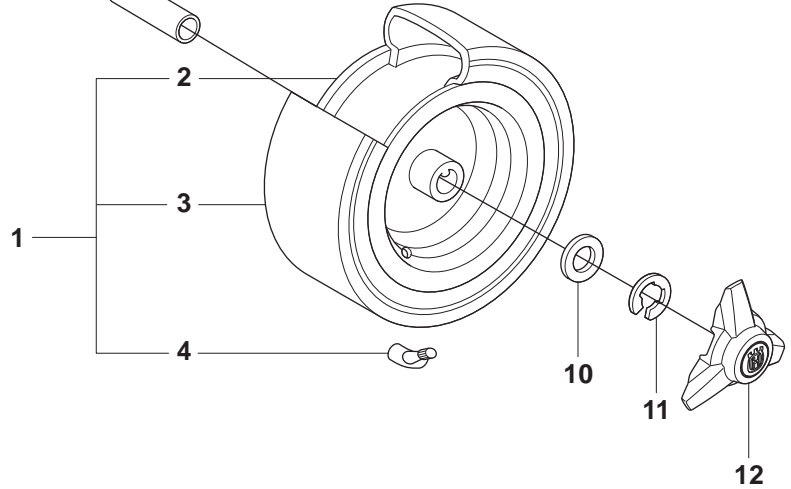
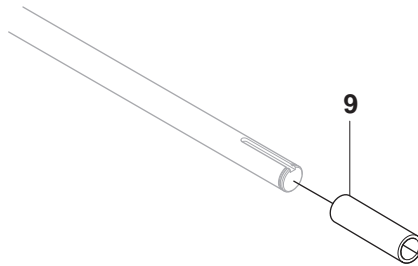
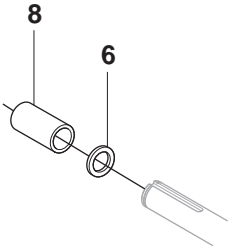
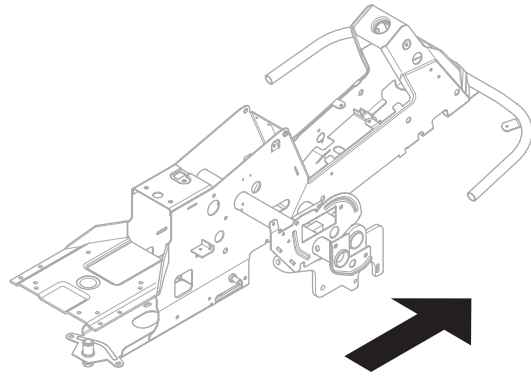




965 09 47-01 RIDER R15V2AWD  
ELECTRICAL

Pos.	Compl No.	Part No.	Description	Qty.	Notes
1		506 78 88-01		1	
2		535 44 11-01		1	
3		506 80 99-01		1	
4		506 83 68-02		1	
5		725 23 70-71		1	
6		731 23 16-01		1	
7		725 23 64-61		1	
8		506 89 98-01		1	
9		544 96 76-01		1	
10		544 44 21-01		1	
11	544 44 21-01	544 44 22-01		1	
12	544 44 21-01	544 44 23-01		1	
13	544 44 21-01	544 44 24-01		1	
14		544 92 63-01		1	
15		544 92 86-01		1	
16		544 92 61-01		1	
17		544 43 98-01		1	
18		506 89 98-01		2	
19		535 45 34-01		1	
20		544 89 22-01		1	
21		506 90 93-01		1	
22		722 78 39-02		2	
23		535 46 91-01		1	
24		544 44 07-01		2	
25		506 90 96-01		1	
26		506 90 97-01		1	
27		544 44 12-01		1	
28		506 90 99-02		1	
29		725 24 60-51		1	
30		734 11 64-01		1	
31		544 41 55-01		1	
32		544 41 57-01		1	
33		544 44 07-01		2	

**R** 965 09 47-01 RIDER R15V2AWD  
WHEELS & TIRES

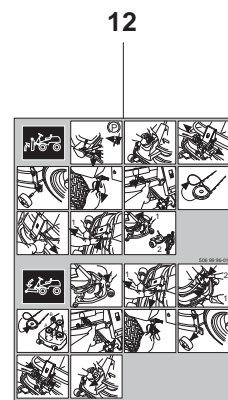
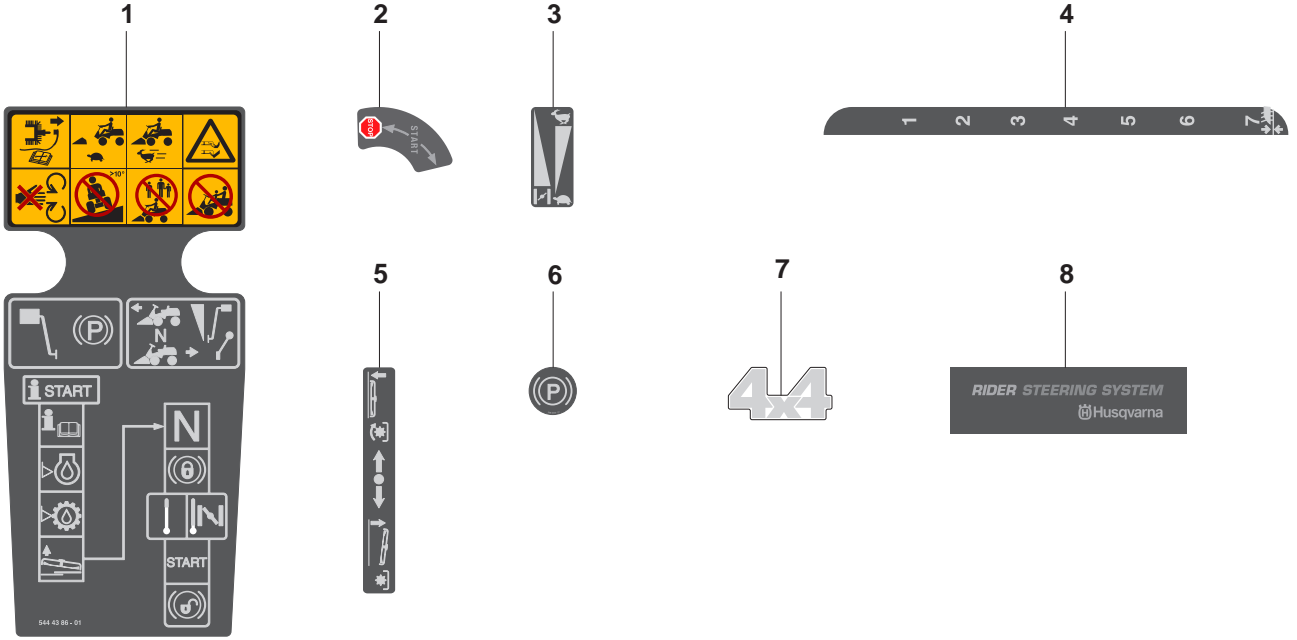


**R****965 09 47-01 RIDER R15V2AWD  
WHEELS & TIRES**

<b>Pos.</b>	<b>Compl No.</b>	<b>Part No.</b>	<b>Description</b>	<b>Qty.</b>	<b>Notes</b>
1		544 12 63-01		4	
2	544 12 63-01	544 11 42-01		1	
3	544 12 63-01	535 46 00-01		1	
4	544 12 63-01	506 57 43-01		1	
5		506 50 48-03		2	
6		506 94 58-01		1	
7		506 59 62-03		2	
8		544 13 26-01		1	
9		544 13 26-02		1	
10		506 50 48-05		4	
11		506 89 90-01		4	
12		544 35 35-01		4	



965 09 47-01 RIDER R15V2AWD  
DECALS

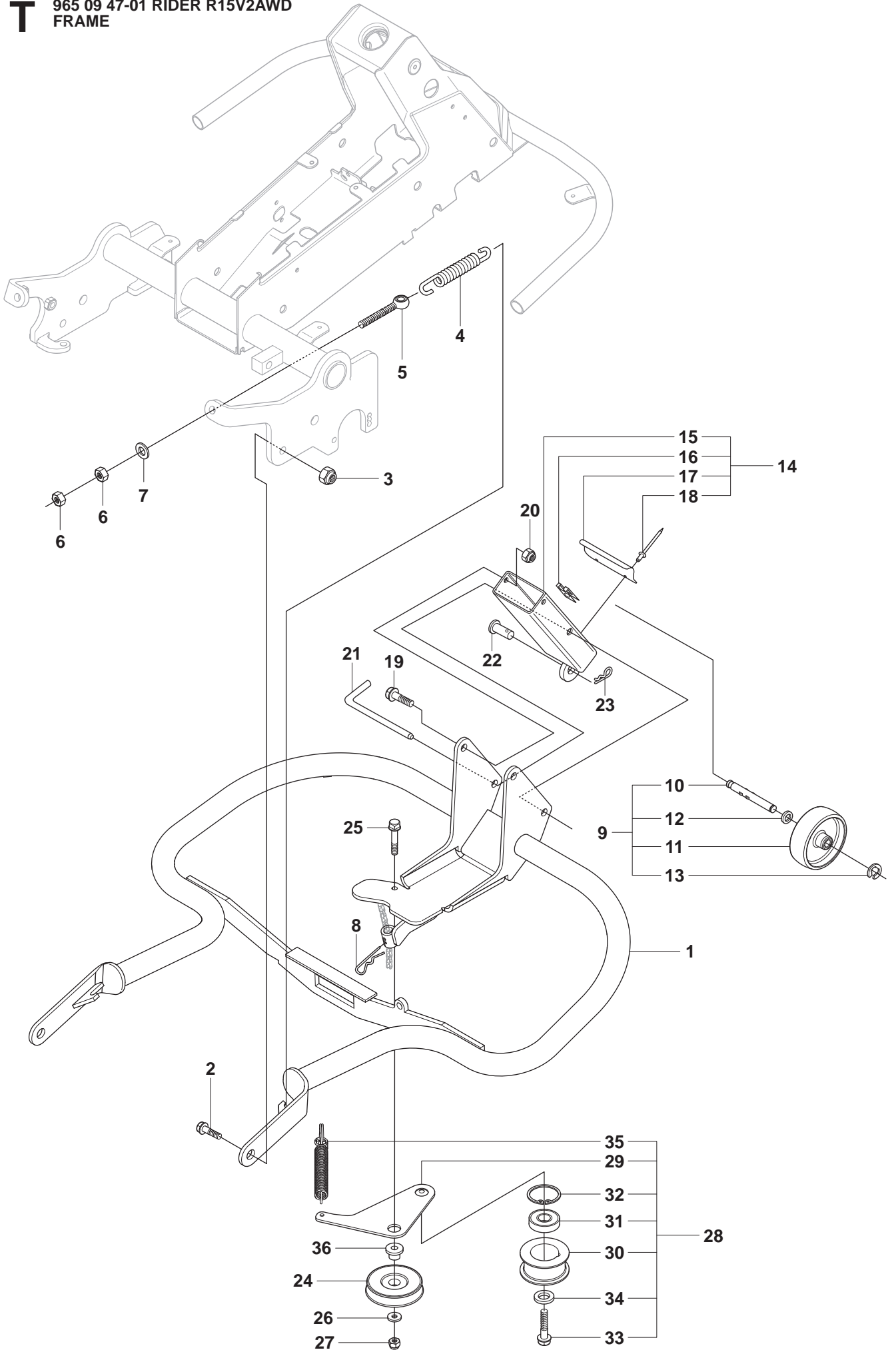




965 09 47-01 RIDER R15V2AWD  
DECALS

Pos.	Compl No.	Part No.	Description	Qty.	Notes
1		544 43 86-01		1	
2		544 43 87-01		1	
3		544 43 89-01		1	
4		544 43 90-02		1	
5		544 43 92-01		1	
6		506 58 45-01		1	
7		544 83 35-01		2	
8		544 83 36-01		1	
9		535 43 20-01		1	
10		544 39 11-02		1	
11		544 21 14-01		2	
12		506 99 96-01		1	
13		544 83 40-01		1	LEFT
14		544 83 40-02		1	RIGHT

**T** 965 09 47-01 RIDER R15V2AWD  
FRAME



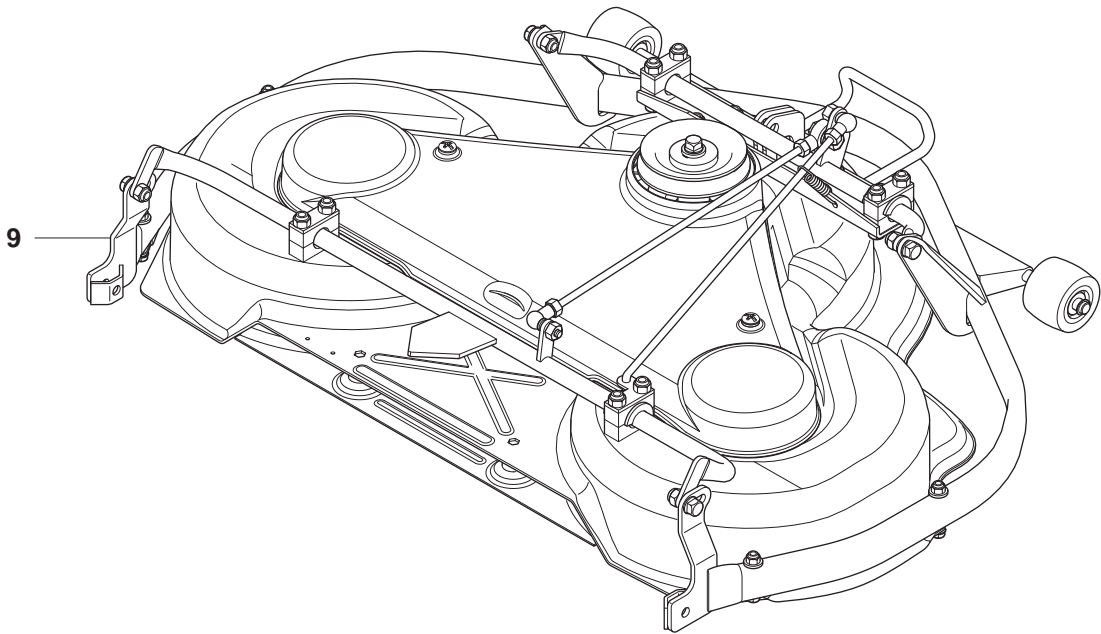
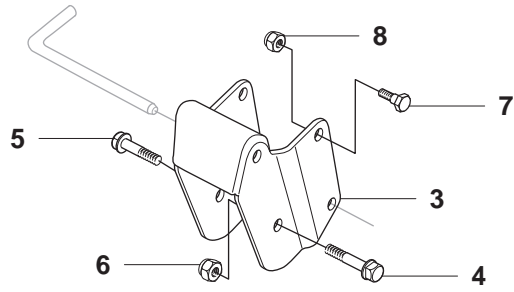




965 09 47-01 RIDER R15V2AWD  
FRAME

Pos.	Compl No.	Part No.	Description	Qty.	Notes
1		535 49 01-02		1	
2		506 89 58-01		2	
3		732 25 22-01		2	
4		506 83 76-01		2	
5		506 83 77-01		2	
6		731 23 20-51		4	
7		734 11 72-01		2	
8		506 96 66-01		1	
9		506 98 14-01		2	
10	506 98 14-01	506 98 00-01		1	
11	506 98 14-01	506 97 96-01		1	
12	506 98 14-01	734 11 77-71		1	
13	506 98 14-01	735 31 15-20		1	
14		506 99 78-01		1	
15	506 99 78-01	506 99 79-01		1	
16	506 99 78-01	506 96 37-01		1	
17	506 99 78-01	506 98 28-01		1	
18	506 99 78-01	722 78 39-02		2	
19		506 59 74-01		2	
20		732 21 18-01		2	
21		506 97 46-01		1	
22		721 86 17-01		1	
23		721 68 02-51		1	
24		506 97 48-01		1	
25		725 24 61-51		1	
26		734 11 64-41		1	
27		732 21 18-01		1	
28		535 49 36-01		1	
29	535 49 36-01	535 49 37-01		1	
30	535 49 36-01	506 92 89-01		1	
31	535 49 36-01	738 21 04-04		1	
32	535 49 36-01	735 31 38-10		1	
33	535 49 36-01	506 55 83-02		1	
34	535 49 36-01	734 11 64-41		1	
35	535 49 36-01	506 97 68-01		1	
36		544 00 74-01		1	

**U** 965 09 47-01 RIDER R15V2AWD  
965 07 84-01 MOWER DECK, COMBI 103

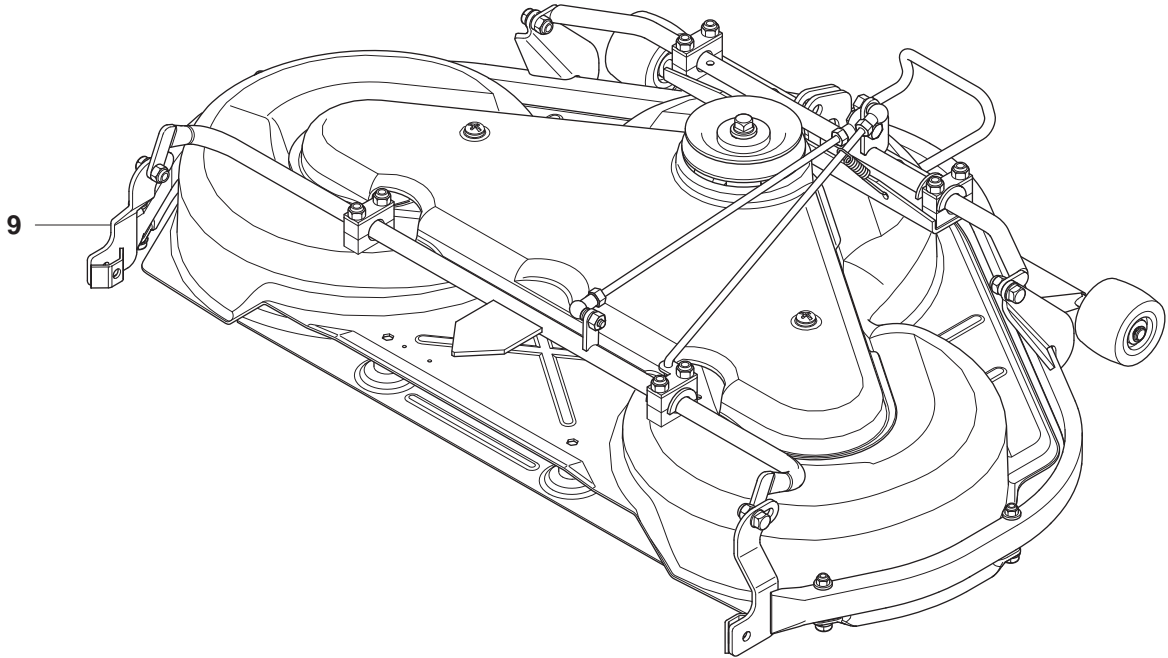
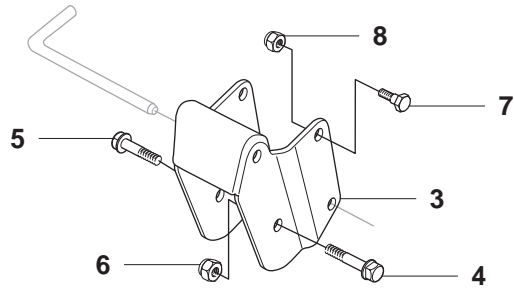




965 09 47-01 RIDER R15V2AWD  
965 07 84-01 MOWER DECK, COMBI 103

Pos.	Compl No.	Part No.	Description	Qty.	Notes
1		506 92 90-01		1	
2		535 43 74-01		1	
3		535 43 13-01		1	
4		725 25 42-51		1	
5		725 25 36-71		1	
6		732 25 22-01		2	
7		506 59 74-01		2	
8		732 21 18-01		2	
9		965 07 84-01		1	

**V** 965 09 47-01 RIDER R15V2AWD  
965 07 85-01 MOWER DECK, COMBI 112



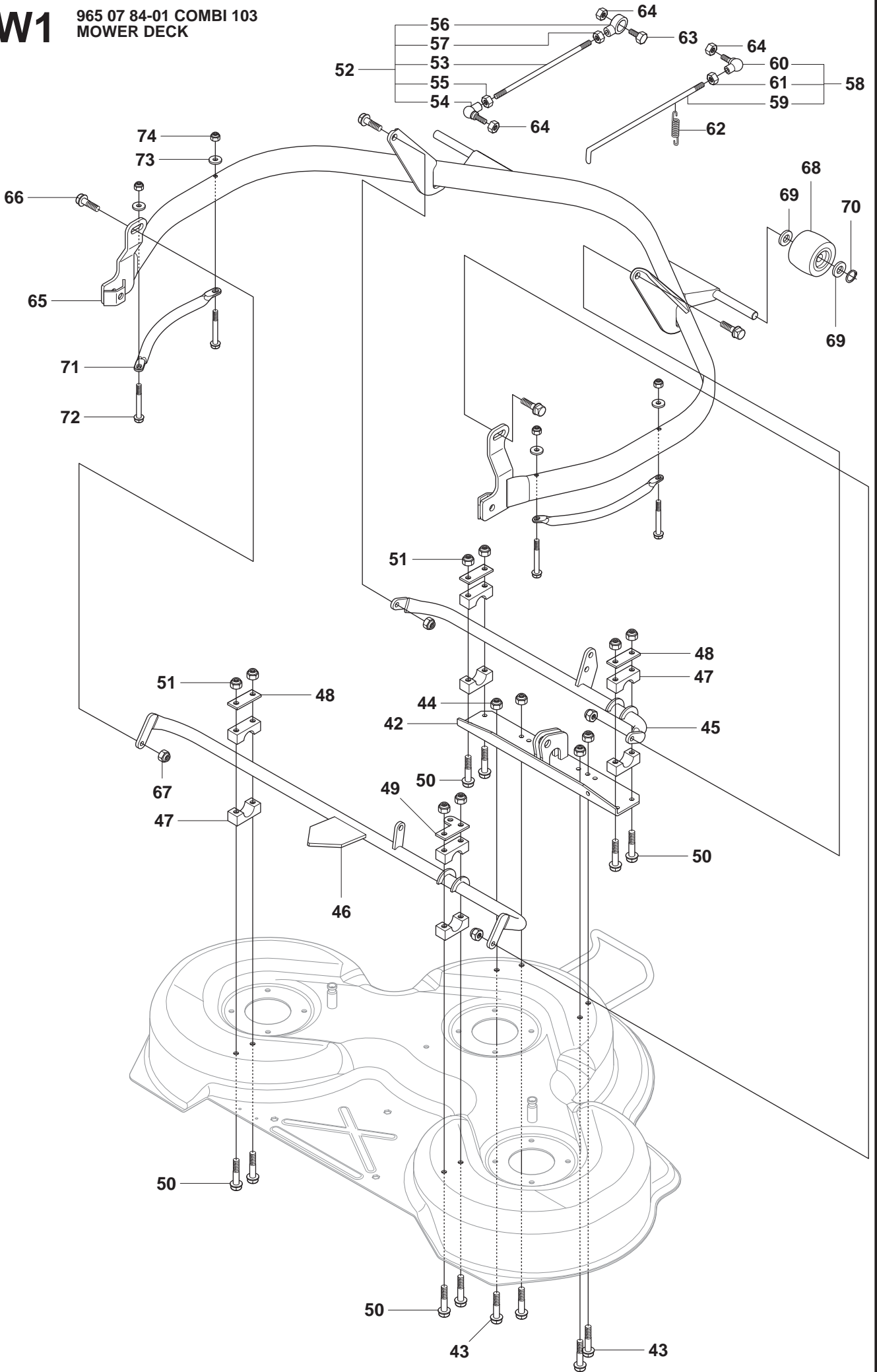


965 09 47-01 RIDER R15V2AWD  
965 07 85-01 MOWER DECK, COMBI 112

Pos.	Compl No.	Part No.	Description	Qty.	Notes
1		506 92 90-01		1	
2		535 43 74-01		1	
3		535 43 13-01		1	
4		725 25 42-51		1	
5		725 25 36-71		1	
6		732 25 22-01		2	
7		506 59 74-01		2	
8		732 21 18-01		2	
9		965 07 85-01		1	

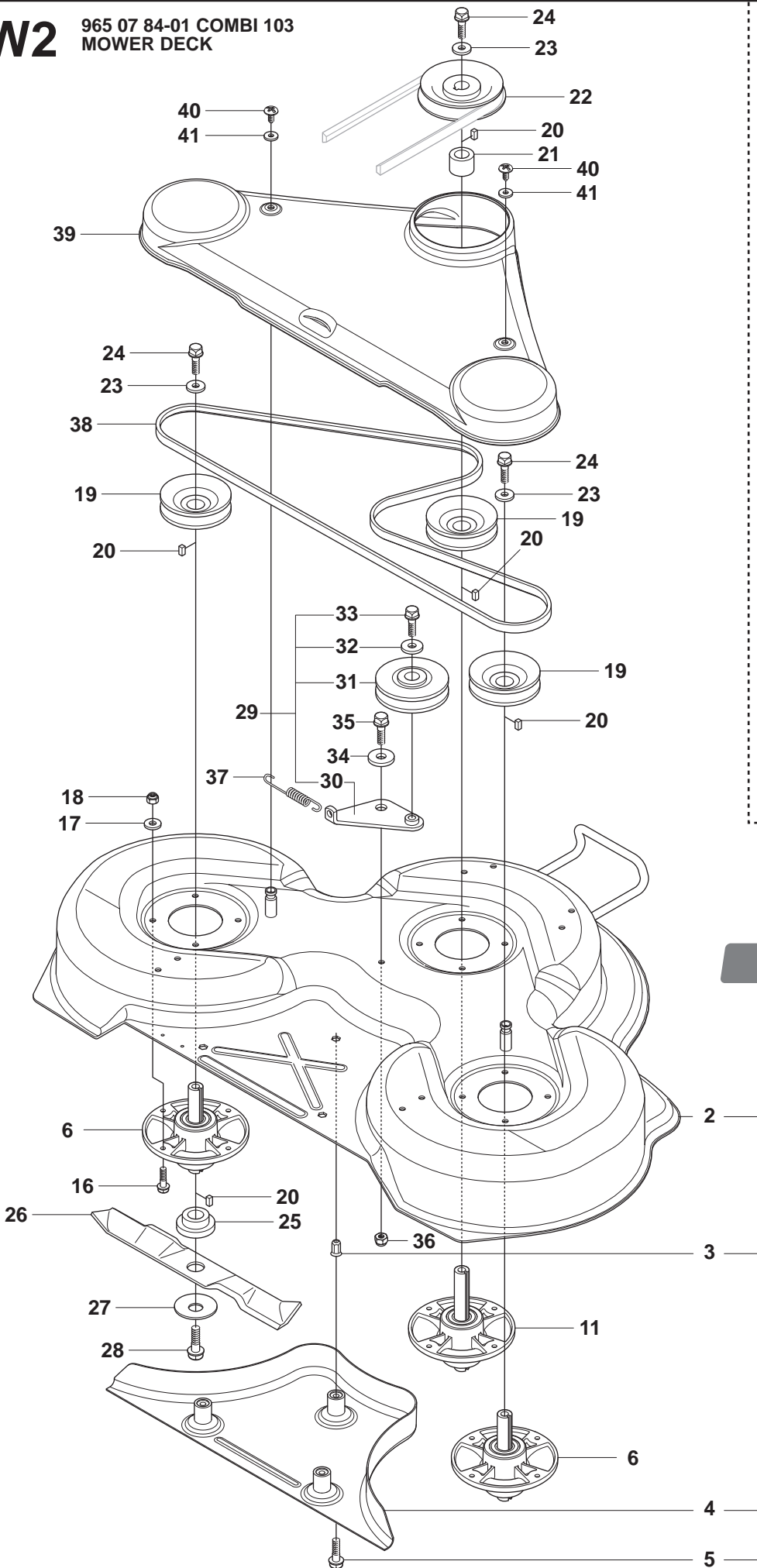
# W1

965 07 84-01 COMBI 103  
MOWER DECK

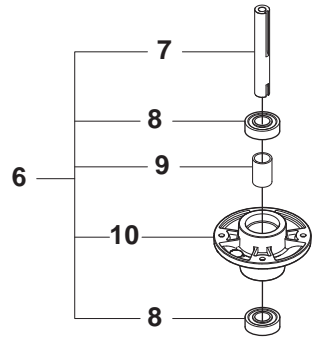


# W2

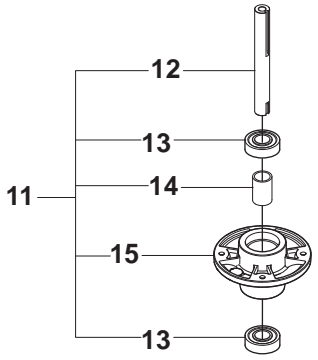
965 07 84-01 COMBI 103  
MOWER DECK



Yttre.  
Outer.  
Exterieur.  
Äusser.  
Ulko.

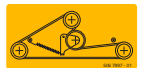


Mitten.  
Centre.  
Centre.  
Zentrum.  
Keski.



76

**Combi 103**



75



965 07 84-01 COMBI 103  
MOWER DECK

Pos.	Compl No.	Part No.	Description	Qty.	Notes
1		544 11 29-03		1	W2
2	544 11 29-03	544 11 28-01		1	W2
3	544 11 29-03	506 91 62-01		3	W2
4	544 11 29-03	544 44 92-01		1	W2
5	544 11 29-03	506 57 01-04		3	W2
6		544 06 59-01		2	W2
7	544 06 59-01	544 06 79-02		1	W2
8	544 06 59-01	738 23 04-34		2	W2
9	544 06 59-01	544 06 80-01		1	W2
10	544 06 59-01	544 06 78-01		1	W2
11		544 06 59-02		1	W2
12	544 06 59-02	544 06 79-01		1	W2
13	544 06 59-02	738 23 04-34		2	W2
14	544 06 59-02	544 06 80-01		1	W2
15	544 06 59-02	544 06 78-01		1	W2
16		535 42 38-01		12	W2
17		734 11 64-01		12	W2
18		732 21 18-01		12	W2
19		506 92 21-01		3	W2
20		506 53 35-01		7	W2
21		544 06 80-02		1	W2
22		506 77 86-01		1	W2
23		734 11 74-41		3	W2
24		544 11 41-01		3	W2
25		535 50 42-02		3	W2
26		544 10 30-01		3	W2
27		506 79 23-01		3	W2
28		544 11 41-01		3	W2
29		506 54 07-01		1	W2
30	506 54 07-01	506 51 95-01		1	W2
31	506 54 07-01	506 53 27-01		1	W2
32	506 54 07-01	734 11 64-41		1	W2
33	506 54 07-01	506 55 83-02		1	W2
34		506 91 87-02		1	W2
35		725 24 51-71		1	W2
36		732 21 18-01		1	W2
37		506 53 31-01		1	W2
38		506 76 85-01		1	W2
39		544 09 61-01		1	W2
40		506 98 26-01		2	W2
41		506 55 97-01		2	W2
42		535 42 30-01		1	W1
43		725 24 51-71		4	W1
44		732 21 18-01		4	W1
45		535 46 88-01		1	W1
46		535 46 87-01		1	W1
47		506 86 96-01		8	W1
48		506 81 38-01		3	W1
49		506 97 91-01		1	W1
50		725 24 61-51		8	W1
51		732 21 18-01		8	W1
52		506 93 39-04		1	W1
53	506 93 39-04	506 81 49-06		1	W1
54	506 93 39-04	506 78 99-01		1	W1
55	506 93 39-04	506 89 76-01		1	W1
56	506 93 39-04	506 95 17-01		1	W1
57	506 93 39-04	731 23 20-51		1	W1
58		506 94 12-06		1	W1
59	506 94 12-06	506 94 13-06		1	W1
60	506 94 12-06	506 78 99-01		1	W1
61	506 94 12-06	506 89 76-01		1	W1
62		506 53 56-03		1	W1
63		725 24 95-71		1	W1
64		732 21 20-51		3	W1





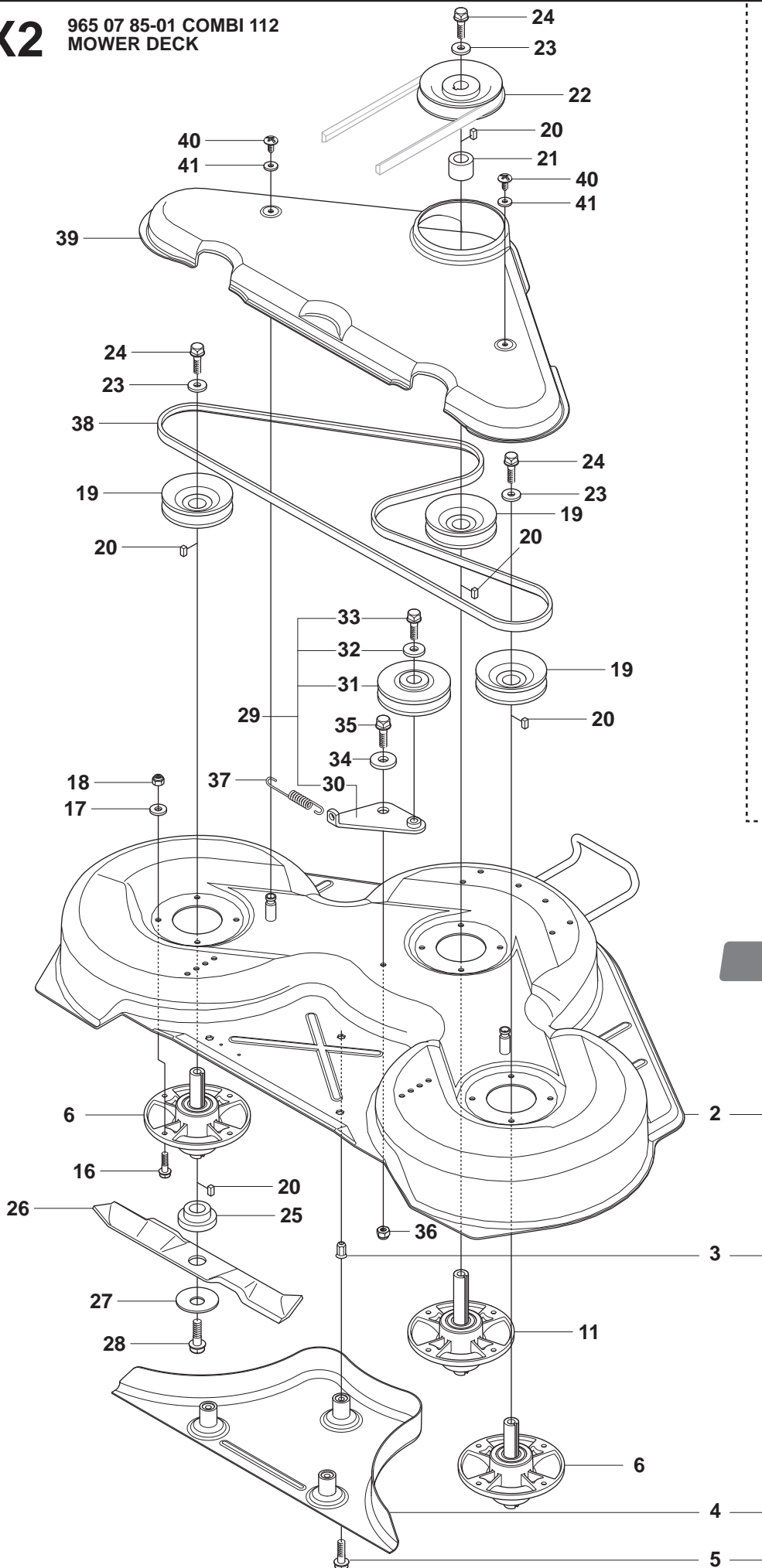
965 07 84-01 COMBI 103  
MOWER DECK

Pos.	Compl No.	Part No.	Description	Qty.	Notes
65		535 46 36-01		1	W1
66		506 59 74-01		4	W1
67		732 21 18-01		4	W1
68		506 96 30-01		2	W1
69		535 46 41-01		4	W1
70		735 31 17-00		2	W1
71		535 47 63-01		2	W1
72		727 63 83-01		4	W1
73		734 11 56-01		4	W1
74		732 21 16-01		4	W1
75		506 78 97-01		1	W2
76		544 23 81-03		1	W2

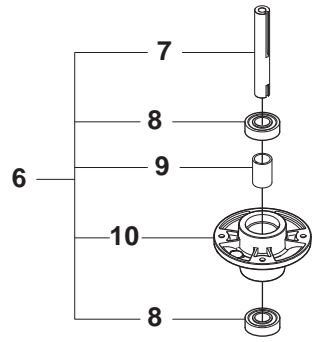


# X2

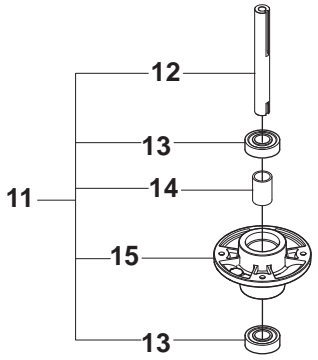
965 07 85-01 COMBI 112  
MOWER DECK



Yttre.  
Outer.  
Exterieur.  
Äusser.  
Ulko.

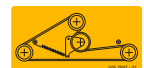


Mitten.  
Centre.  
Centre.  
Zentrum.  
Keski.



76

**Combi 112**



75



965 07 85-01 COMBI 112  
MOWER DECK

Pos.	Compl No.	Part No.	Description	Qty.	Notes
1		544 11 30-03		1	X2
2	544 11 30-03	544 11 31-01		1	X2
3	544 11 30-03	506 91 62-01		3	X2
4	544 11 30-03	544 44 93-01		1	X2
5	544 11 30-03	506 57 01-04		3	X2
6		544 06 59-01		2	X2
7	544 06 59-01	544 06 79-02		1	X2
8	544 06 59-01	738 23 04-34		2	X2
9	544 06 59-01	544 06 80-01		1	X2
10	544 06 59-01	544 06 78-01		1	X2
11		544 06 59-02		1	X2
12	544 06 59-02	544 06 79-01		1	X2
13	544 06 59-02	738 23 04-34		2	X2
14	544 06 59-02	544 06 80-01		1	X2
15	544 06 59-02	544 06 78-01		1	X2
16		535 42 38-01		12	X2
17		734 11 64-01		12	X2
18		732 21 18-01		12	X2
19		506 92 21-01		3	X2
20		506 53 35-01		7	X2
21		544 06 80-02		1	X2
22		506 77 86-01		1	X2
23		734 11 74-41		3	X2
24		544 11 41-01		3	X2
25		535 50 42-02		3	X2
26		544 10 28-01		3	X2
27		506 79 23-01		3	X2
28		544 11 41-01		3	X2
29		506 54 07-01		1	X2
30	506 54 07-01	506 51 95-01		1	X2
31	506 54 07-01	506 53 27-01		1	X2
32	506 54 07-01	734 11 64-41		1	X2
33	506 54 07-01	506 55 83-02		1	X2
34		506 91 87-02		1	X2
35		725 24 51-71		1	X2
36		732 21 18-01		1	X2
37		506 53 31-01		1	X2
38		535 41 19-01		1	X2
39		544 09 62-01		1	X2
40		506 98 26-01		2	X2
41		506 55 97-01		2	X2
42		535 42 30-01		1	X1
43		725 24 51-71		4	X1
44		732 21 18-01		4	X1
45		535 43 06-01		1	X1
46		535 43 12-01		1	X1
47		506 86 96-01		8	X1
48		506 81 38-01		3	X1
49		506 97 91-01		1	X1
50		725 24 61-51		8	X1
51		732 21 18-01		8	X1
52		506 93 39-04		1	X1
53	506 93 39-04	506 81 49-06		1	X1
54	506 93 39-04	506 78 99-01		1	X1
55	506 93 39-04	506 89 76-01		1	X1
56	506 93 39-04	506 95 17-01		1	X1
57	506 93 39-04	731 23 20-51		1	X1
58		506 94 12-06		1	X1
59	506 94 12-06	506 94 13-06		1	X1
60	506 94 12-06	506 78 99-01		1	X1
61	506 94 12-06	506 89 76-01		1	X1
62		506 53 56-03		1	X1
63		725 24 95-71		1	X1
64		732 21 20-51		3	X1

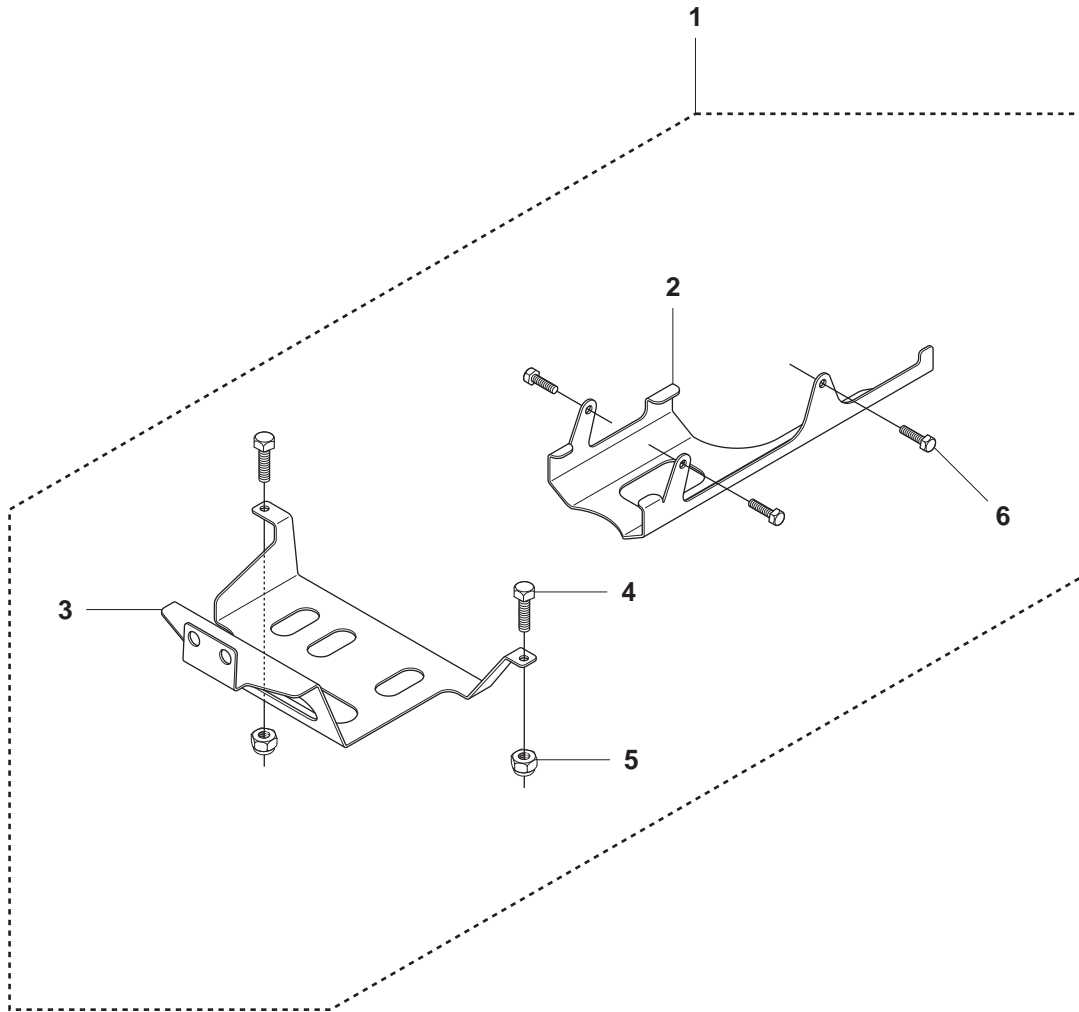


965 07 85-01 COMBI 112  
MOWER DECK

Pos.	Compl No.	Part No.	Description	Qty.	Notes
65		535 41 23-02		1	X1
66		506 59 74-01		4	X1
67		732 21 18-01		4	X1
68		506 96 30-01		2	X1
69		535 46 41-01		4	X1
70		735 31 17-00		2	X1
71		535 47 63-01		2	X1
72		727 63 83-01		4	X1
73		734 11 56-01		4	X1
74		732 21 16-01		4	X1
75		506 78 97-01		1	X2
76		544 23 81-05		1	X2



965 09 47-01 RIDER R15V2AWD  
ACCESSORIES





**965 09 47-01 RIDER R15V2AWD  
ACCESSORIES**

<b>Pos.</b>	<b>Compl No.</b>	<b>Part No.</b>	<b>Description</b>	<b>Qty.</b>	<b>Notes</b>
1		544 06 93-04		1	
2	544 06 93-04	504 04 62-01		1	
3	544 06 93-04	544 14 33-01		1	
4	544 06 93-04	725 24 63-71		2	
5	544 06 93-04	732 21 18-01		2	
6	544 06 93-04	725 24 49-61		3	